

LED Cylinder 3"

CY3 Series | Pendant & Surface & Wall Mount Round Downlights



Small yet powerful, this family of 3" LED cylinders delivers up to 1900 lumens. Combining compact design with high performance, they come with a wide selection of optics, trim styles, beam spreads, CCT, CRI, mounting options, and more—giving you the flexibility to meet diverse project needs. Available in an extensive range of configurations, these mini cylinders adapt to virtually any design requirement. A designer favorite, they provide superior lighting performance for every application.

Feature

- Fully modular cylinder, configure over 10,000 possibilities
- Choose from a wide range of beam angles: 15°, 24°, 36°, 60°
- COB LED: 4 Fixed CCT 90+ CRI or Dim to Warm 95+ CRI options
- Options for anti-glare trim, drop lens, decorative kit or wall wash
- 2 in 1 Dimming: 0-10V (Dim to 1%) and TRIAC in one package
- Versatile mounting with cable pendant, stem pendant, surface and wall mount



PERFORMANCE

Wattage Selectable	15°/3000K/White		24°/3000K/White		36°/3000K/White		60°/3000K/White	
	Efficacy	Lumens	Efficacy	Lumens	Efficacy	Lumens	Efficacy	Lumens
5W	115LM/W	575LM	115LM/W	575LM	105LM/W	525LM	95LM/W	475LM
8W	115LM/W	920LM	120LM/W	960LM	105LM/W	840LM	95LM/W	760LM
10W	115LM/W	1150LM	115LM/W	1150LM	105LM/W	1050LM	95LM/W	950LM
13W	110LM/W	1430LM	115LM/W	1490LM	105LM/W	1365LM	90LM/W	1170LM
16W	105LM/W	1680LM	110LM/W	1760LM	100LM/W	1600LM	80LM/W	1280LM
19W	100LM/W	1900LM	105LM/W	1995LM	95LM/W	1805LM	80LM/W	1520LM

Remark: The lumens are subject to 3000K 90+ with white anti-glare trim. Lumen output may vary ± 5% base on different CCT, beam angle, and trim.



COMING SOON

LED Cylinder 3"

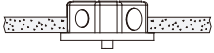
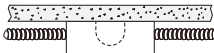


CY3 Series | Pendant & Surface & Wall Mount Round Downlights

PRODUCT ORDERING GUIDE

Example: CY3R-WH-1900L-DT1-9027-W-AW-PC02-RJ

*Available For Quickship - Coming Soon.

CY	3	R		1900L	DT1						
Product Family	Product Size	Product Shape	Finish	Wattage/Lumens	Dimming Options	CRI Options	LED Color Options	Beam Options	Trim Options	Mounting	
CY LED Cylinder Series	3 QuickShip 3inch, Wattage Selectable 19W/16W/13W/10W/8W/5W	R QuickShip Round	WH QuickShip White BL QuickShip Black SI QuickShip Silver CM Make to Order Custom Colors*	1900L QuickShip Up to 19W, 1900LM ▲ Remark: The lumen is subject to 3000K, 90+ CRI, 24° beam angle, with white trim.	DT1 QuickShip 0-10V, (Dim To 1%) Or TRIAC Dimming	90 QuickShip 90+ CRI	27 QuickShip 2700K Cree COB 30 QuickShip 3000K Cree COB 35 QuickShip 3500K Cree COB 40 QuickShip 4000K Cree COB 95 QuickShip 95+ CRI (ONLY For Dim To Warm)	27 QuickShip 2700K Cree COB 30 QuickShip 3000K Cree COB 35 QuickShip 3500K Cree COB 40 QuickShip 4000K Cree COB DW QuickShip Dim to Warm 3000K-2000K Bridgelux COB (13W Max)	N QuickShip Narrow Beam, 15° M QuickShip Medium Beam, 24° W QuickShip Wide Beam, 36° F QuickShip Flood Beam, 60°	Anti-glare Trim AW White Trim QuickShip AB Black Trim QuickShip AG Gold Trim QuickShip AC Chrome Trim QuickShip Wall Wash Trim WW White QuickShip WB Black QuickShip Drop Lens DL QuickShip 1inch thickness drop lens	PC QuickShip Pendant Cable PS QuickShip Pendant Rigid Stem SM QuickShip Surface WM QuickShip Wall Mount

Cable / Stem Length (Pendant Only)	Ceiling Type	Optic Media(Optional)	Emergency Function
02 QuickShip 2' Nominal Length	RJ QuickShip Pendant With Flat Canopy Style For Recessed J-Box 	{Blank} QuickShip None HB QuickShip Honeycomb (Only for anti-glare trim)	{Blank} QuickShip None EME QuickShip Emergency Optional high voltage 8W emergency LED driver EM-H08170-LBF can be provided. For more info or spec sheet, please visit our website or contact sales.
04 QuickShip 4' Nominal Length			
08 QuickShip 8' Nominal Length	SJ QuickShip Pendant With Conduit Cutout Deep Canopy Style For Surface Mounted 4" Octagonal Junction Box. 	Decorative Kit (Only for anti-glare trim) Yellow + DYB DYW QuickShip Green + DGB DGW QuickShip Transparent + DTB DTW QuickShip Blue + DBB DBW QuickShip Red + DRB DRW QuickShip	LED Emergency Driver (External)  Indicator (Built-in Canopy) 
12 QuickShip 12' Nominal Length			

* The color of canopy, cable and stem are the same as the finish unless otherwise specified.

*Make to Order means additional cost and/or lead time on customized fixtures may apply. Some fixtures require an MOQ. Please contact your sales rep for more information.

LED Cylinder 3"

CY3 Series | Pendant & Surface & Wall Mount Round Downlights

STRUCTURE

► Finish

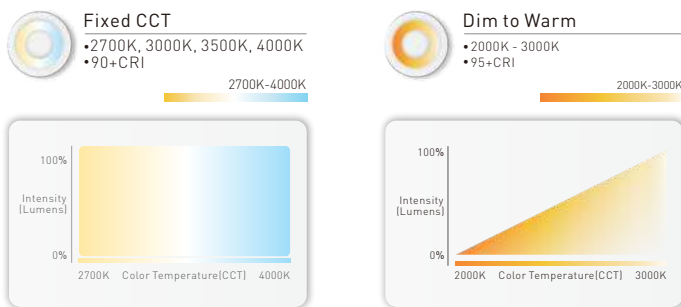
Constructed of extruded aluminum. Powder coated polyester paint that comes standard in white and black.

► Optics

It was powered by high efficiency COB LED chip with 15° / 24° / 36° / 60° fixed beam spread options or drop lens. Cylinder beamspreads are interchangeable which can be easily swapped out in the field without tools.

► LED System

LED	Powered by CREE or Bridgelux high efficiency COB LED chip.
CRI	90+ for fixed CCT or 95+ CRI for Dim to Warm, producing outstanding illumination at a tight chromaticity specification and color binning process.
CCT	2700K, 3000K, 3500K and 4000K fixed CCT with a great color consistency or Dim to Warm from 3000K to 2000K.
Light Engine	Aluminum housing acting as the heat sink to maximize life. The temperature of all heatsinks are controlled at 60-70°C.



► Electrical

LED Driver	It is powered by Class 2 high efficiency LED driver, with a standard 0-10V dimming which continuous dims to 1% or Triac dimming that works with many types of controls. Thermal overload protection shuts down the luminaire when system temperatures exceed designed operating conditions.
THD	<20%
Power Factor	>0.9
Input Voltage	Standard electronic drivers are cULus recognized and available for 110-277V AC.
Environment	Environment damp rated for ambient operating temperature of -20°C to +40°C (-4° to +104°F)

► Listings

- cULus listed for damp locations
- Five-year warranty for parts and components. (Labor not included)

NOTES:

- Ambient temperatures at fixture location should not exceed 40°C during normal operation.
- For interior use only

► Mounting-Pendant

Cable Pendant

White/black power cable is provided in length specified (2' nominal, 4' nominal, 8' nominal or 12' nominal). Installers can cut the cable in the field to desired length.

Stem Pendant

Ø12/25" steel stem is provided in length specified (2' nominal, 4' nominal, 8' nominal or 12' nominal) and is provided in white or black finish.

Canopy Options

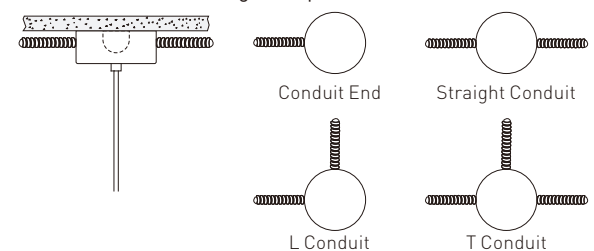
Flat Canopy For Recessed J-box

If J-box is recessed (3" octagon, 4" octagon and 4" round), a 4.5" flat canopy is provided for mounting to recessed junction box in white or black powder coat painted finish.

Conduit Cutout Deep Canopy For Surface Mount J-box

If standard 4" octagonal J-box is surface mounted, a Ø5.97" round x 2.38" deep canopy with conduit cutout is provided for mounting. Conduit cutout canopy has 4 key slots, one in each side, and can be configured to accommodate any ceiling layout using 1/2" or 3/8" conduit. Conduit cutout canopy is provided white and black powder coat painted finish.

Conduit cutout mounting example



► Mounting-Surface

For Recessed J-box

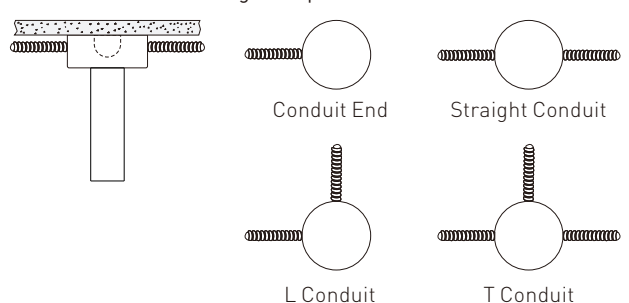
If recessed J-box is existing (3" octagon, 4" octagon and 4" round), the cylinder can be mounted directly to recessed mounted junction box.



For Surface Mount J-box

If standard 4" octagonal J-box is surface mounted, a Ø5.97" round x 2.38" deep canopy with conduit cutout is provided for mounting. Conduit cutout canopy has 4 key slots, one in each side, and can be configured to accommodate any ceiling layout using 1/2" or 3/8" conduit. Conduit cutout canopy is provided white and black powder coat painted finish.

Conduit cutout mounting example



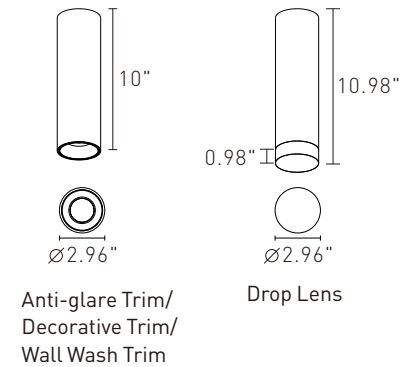
LED Cylinder 3"

CY3 Series | Pendant & Surface & Wall Mount Round Downlights

CONFIGURATION

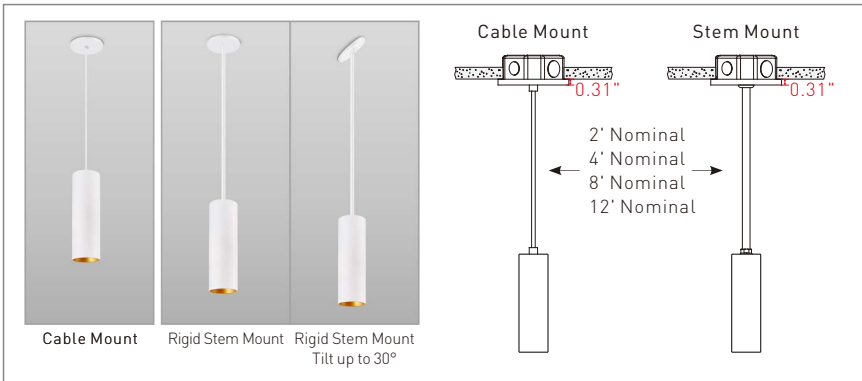


DIMENSIONS

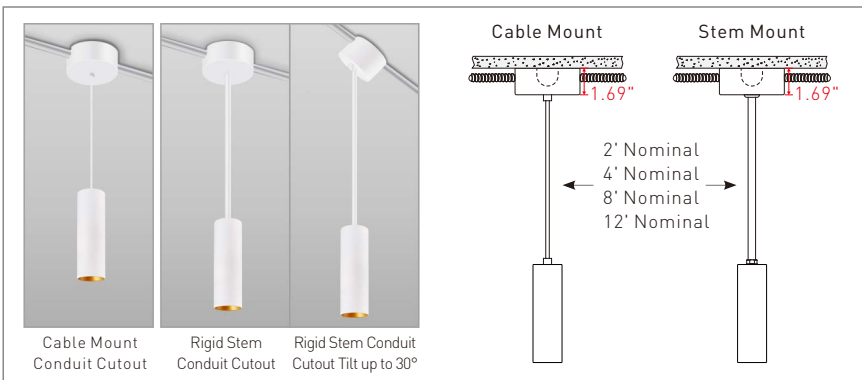


PENDANT OPTIONS

Pendant With Flat Canopy For Recessed J-Box

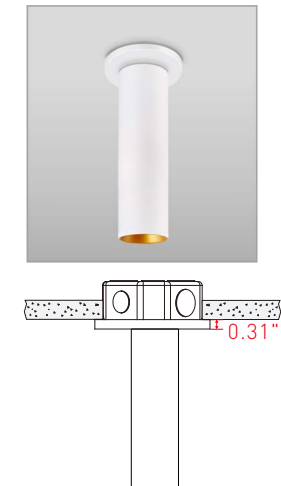


Pendant With Conduit Cutout Deep Canopy For Surface 4" Octagonal Junction Box

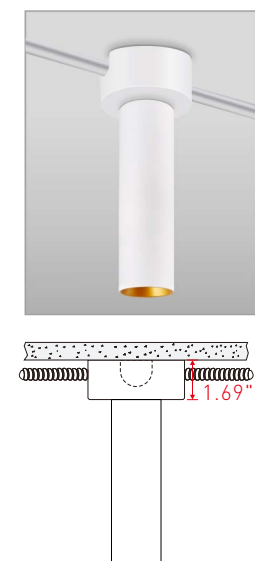


SURFACE OPTIONS

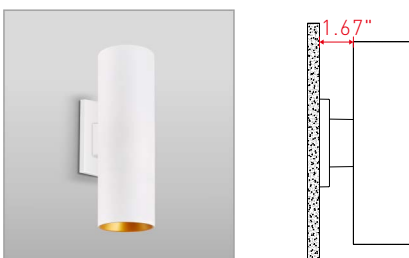
Surface Mount To Recessed Junction Box



Surface Mount With Conduit Cutout For Surface Mounted 4" Octagonal Junction Box



WALL MOUNT

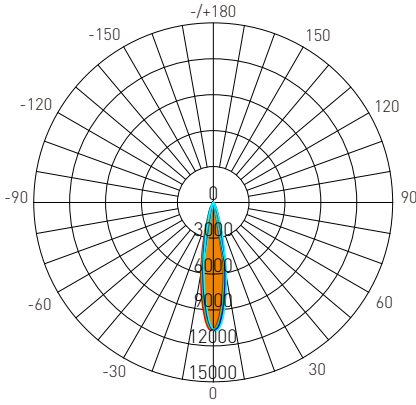


LED Cylinder 3"

CY3 Series | Pendant & Surface & Wall Mount Round Downlights

DISTRIBUTION DIAGRAM

3" / 19W / 3000K / 15°



AVERAGE BEAM ANGLE(50%): 20.0°

Lumens: 1929.71 Lm
 Watts: 19 W
 LPW: 102.71 Lm/W
 CCT: 3000K

UNIT: cd
 C0/180,20.0°
 C30/210,19.9°
 C60/240,20.0°
 C90/270,19.9°

Zonal Flux Diagram

T	C0	C45	C90	C135	C180
10	471.7	546.9	625.2	645.3	605.1
20	107.4	121.8	143.7	153.9	148.8
30	29.94	32.67	39.65	46.36	46.43
40	1.377	1.586	2.125	2.882	2.337
50	0.6189	0.6106	0.5872	0.5603	0.5557
60	0.5313	0.4800	0.4381	0.4220	0.4168
70	0.3807	0.3703	0.3383	0.3215	0.3145
80	0.1474	0.1475	0.1388	0.1319	0.1268
90	0.0068	0.0070	0.0081	0.0097	0.0058
100	0.0081	0.0063	0.0059	0.0050	0.0068
110	0.0418	0.0340	0.0303	0.0269	0.0135
120	0.1636	0.1378	0.1179	0.1089	0.0528
130	0.5329	0.4671	0.4075	0.3896	0.1872
140	1.091	1.029	0.9648	0.9406	0.5986
150	1.427	1.400	1.375	1.355	1.159
160	1.517	1.505	1.510	1.499	1.437
170	1.296	1.328	1.366	1.360	1.323
180	1.123	1.132	1.117	1.122	1.125
DEG	LUMINOUS INTENSITY:cd				

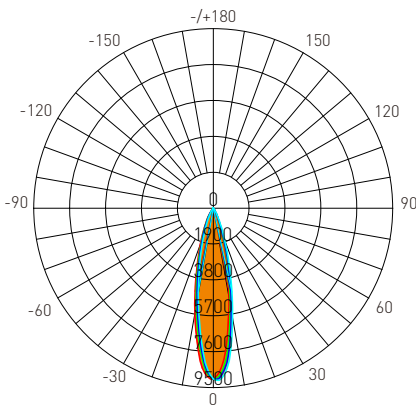
Zonal Lumens

T	Φ total
0-10	720.6
10-20	1465
20-30	1786
30-40	1885
40-50	1893
50-60	1897
60-70	1901
70-80	1904
80-90	1904
90-100	1904
100-110	1905
110-120	1905
120-130	1907
130-140	1911
140-150	1918
150-160	1925
160-170	1929
170-180	1930
UNIT: lm	

Luminance cd/(m2)

G(DEG)	C0/180	C90/270
85	1649	1653
80	1890	1776
75	2148	2008
70	2478	2197
65	2389	2046
60	2366	1946
55	2214	1973
50	2143	2029
45	2625	3221

3" / 19W / 3000K / 24°



AVERAGE BEAM ANGLE(50%): 22.9°

Lumens: 2037.78 Lm
 Watts: 19 W
 LPW: 109.19 Lm/W
 CCT: 3000K

UNIT: cd
 C0/180,23.0°
 C30/210,23.0°
 C60/240,22.9°
 C90/270,22.8°

Zonal Flux Diagram

T	C0	C45	C90	C135	C180
10	4807	5344	5875	5878	5661
20	1195	1382	1733	1955	2012
30	225.6	258.8	392.2	538.5	636.6
40	18.06	19.42	22.89	29.28	42.44
50	6.808	6.838	6.339	5.468	5.259
60	5.304	5.263	4.419	3.542	3.155
70	4.033	3.894	3.249	2.546	2.225
80	1.560	1.494	1.218	0.9686	0.8398
90	0.0403	0.0363	0.0227	0.0344	0.0441
100	0.0660	0.0854	0.0636	0.0590	0.0792
110	0.5537	0.5009	0.3813	0.2660	0.1367
120	2.136	1.905	1.534	1.239	0.4761
130	6.010	5.482	4.738	4.299	1.957
140	11.52	10.98	10.20	9.706	6.133
150	15.09	14.86	14.47	14.06	11.65
160	15.80	15.74	15.85	15.72	14.76
170	13.75	14.06	14.46	14.40	13.89
180	12.47	12.65	12.54	12.58	15.56
DEG	LUMINOUS INTENSITY:cd				

Zonal Lumens

T	Φ total
0-10	658.7
10-20	1498
20-30	1886
30-40	1990
40-50	2000
50-60	2005
60-70	2008
70-80	2010
80-90	2011
90-100	2011
100-110	2011
110-120	2012
120-130	2014
130-140	2018
140-150	2026
150-160	2032
160-170	2037
170-180	2038
UNIT: lm	

Luminance cd/(m2)

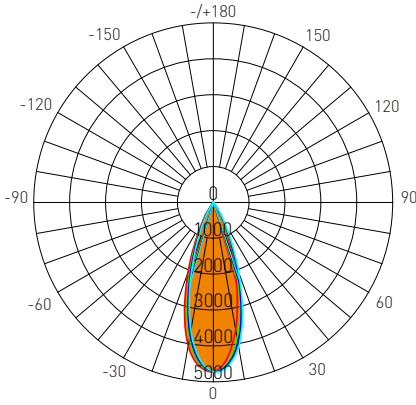
G(DEG)	C0/180	C90/270
85	1799	1285
80	2046	1551
75	2345	1788
70	2686	2100
65	2548	1987
60	2416	1954
55	2412	2021
50	2412	2180
45	3369	3781

LED Cylinder 3"

CY3 Series | Pendant & Surface & Wall Mount Round Downlights

DISTRIBUTION DIAGRAM

3" / 19W / 3000K / 36°



Lumens: 1809.1 Lm
Watts: 19 W
LPW: 96.08 Lm/W
CCT: 3000K

UNIT: cd
— C0/180,34.6°
— C30/210,34.5°
— C60/240,34.5°
— C90/270,34.5°

Zonal Flux Diagram

T	C0	C45	C90	C135	C180
10	3595	3908	4082	4076	4056
20	1587	1863	2067	2106	2070
30	353.8	470.9	561.4	588.3	597.8
40	26.15	33.17	41.54	50.65	47.64
50	7.895	8.743	9.090	8.243	7.956
60	5.966	6.681	6.739	6.147	5.847
70	4.137	4.787	4.733	4.427	4.039
80	1.515	1.914	2.051	1.871	1.608
90	0.0971	0.1263	0.2345	0.2182	0.1358
100	0.0661	0.0719	0.0860	0.0500	0.0749
110	0.5419	0.4114	0.3585	0.3065	0.1458
120	2.124	1.760	1.569	1.507	0.6628
130	5.342	4.735	4.362	4.286	2.381
140	9.396	8.753	8.345	8.255	5.784
150	12.63	12.23	12.00	11.87	9.829
160	13.57	13.42	13.47	13.35	12.42
170	12.47	12.62	12.73	12.58	12.36
180	12.20	12.31	12.21	12.21	12.27
DEG	LUMINOUS INTENSITY:cd				

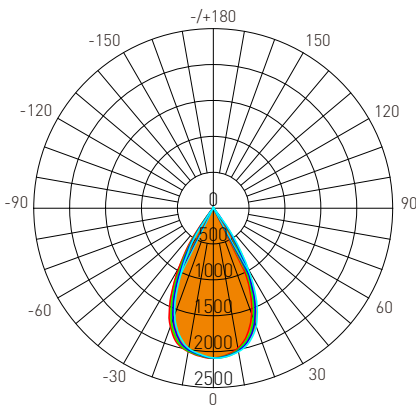
Zonal Lumens

T	Φ total
0-10	407.4
10-20	1182
20-30	1649
30-40	1757
40-50	1770
50-60	1777
60-70	1782
70-80	1785
80-90	1785
90-100	1785
100-110	1786
110-120	1786
120-130	1788
130-140	1793
140-150	1799
150-160	1804
160-170	1808
170-180	1809
UNIT: lm	

Luminance cd/(m2)

G(DEG)	C0/180	C90/270
85	1638	2732
80	1983	2612
75	2346	2856
70	2748	3061
65	2816	2843
60	2711	2981
55	2807	3098
50	2790	3128
45	2579	7390

3" / 19W / 3000K / 60°



Lumens: 1598.1 Lm
Watts: 19 W
LPW: 84.96 Lm/W
CCT: 3000K

UNIT: cd
— C0/180,55.3°
— C30/210,55.4°
— C60/240,55.4°
— C90/270,55.4°

Zonal Flux Diagram

T	C0	C45	C90	C135	C180
10	1981	2010	2031	2033	2028
20	1569	1655	1750	1777	1755
30	676.7	822.6	968.2	1025	964.1
40	47.57	58.94	87.19	109.3	92.50
50	11.22	11.74	15.50	12.83	13.19
60	8.138	8.476	5.580	8.190	8.236
70	5.653	5.922	5.909	5.660	5.643
80	2.061	2.255	2.430	2.366	2.310
90	0.0660	0.0366	0.1216	0.2049	0.1615
100	0.1269	0.0922	0.0908	0.0611	0.0517
110	0.9131	0.7661	0.7257	0.5728	0.2291
120	2.535	2.285	2.135	1.907	1.039
130	4.857	4.582	4.184	4.071	2.760
140	7.482	7.196	6.907	6.621	5.135
150	9.748	9.476	9.285	9.017	7.562
160	10.83	10.72	10.71	10.48	9.347
170	11.26	11.26	11.29	11.13	10.65
180	11.61	11.72	11.65	11.65	11.67
DEG	LUMINOUS INTENSITY:cd				

Zonal Lumens

T	Φ total
0-10	195.1
10-20	719.7
20-30	1298
30-40	1535
40-50	1556
50-60	1565
60-70	1572
70-80	1576
80-90	1577
90-100	1577
100-110	1578
110-120	1579
120-130	1581
130-140	1585
140-150	1590
150-160	1594
160-170	1597
170-180	1598
UNIT: lm	

Luminance cd/(m2)

G(DEG)	C0/180	C90/270
85	2146	2984
80	2705	3096
75	3195	3429
70	3766	3822
65	3879	3561
60	3709	3796
55	3861	4161
50	3977	5334
45	5106	9375