

# LED CYLINDER SURFACE and WALL MOUNT

## LED CYLINDER INSTALLATION INSTRUCTIONS

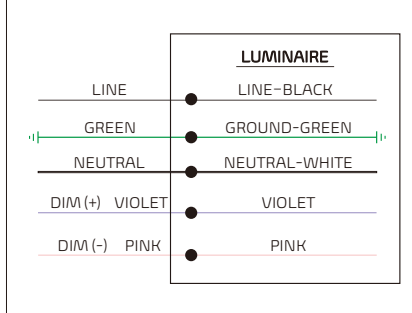


**RISK OF FIRE AND ELECTRICAL SHOCK. FIXTURE MUST BE INSTALLED BY A QUALIFIED ELECTRICIAN ONLY IN ACCORDANCE WITH NATIONAL, LOCAL BUILDING AND ELECTRICAL CODES. DISCONNECT POWER AT ELECTRICAL PANEL BEFORE SERVICING.**

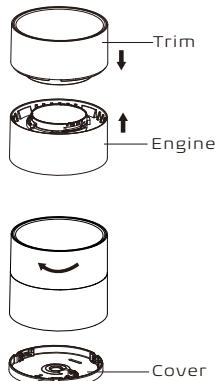
### IMPORTANT

1. Read all instructions.
2. Install in accordance with national and local electrical code regulations.
3. This product is intended to be installed and serviced by a qualified, licensed electrician.
4. Do not install in wet locations. For dry and damp use only.
5. Turn off electrical power before installing or servicing fixture in any way.
6. To reduce the risk of fire and overheating, make sure all connections are tight.
7. Under no circumstances can the lighting fixture be covered with heat insulation gasket or similar materials.

### WIRING



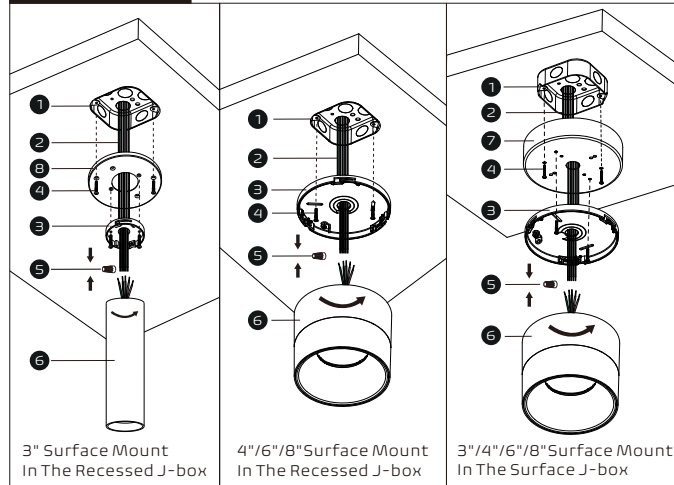
### STRUCTURE OF LAMP



When trim and engine are separated, attached together, and secure them with clockwise direction.

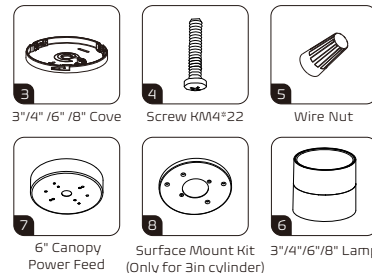
### Surface Mount

#### INSTALLATION



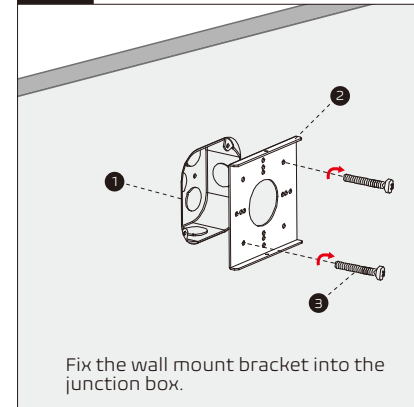
#### PARTS

- 1 4" Octagon Junction Box (By Others)
- 2 Power Cord (By Others)
- 3 3"/4"/6"/8" Cove
- 4 Screw KM4\*22
- 5 Wire Nut
- 6 3"/4"/6"/8" lamp
- 7 6" Canopy Power Feed
- 8 Surface Mount Kit (Only for 3in cylinder)



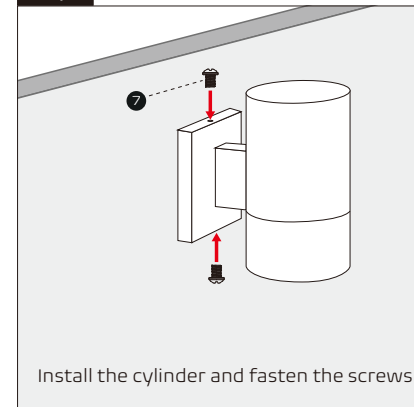
### Wall Mount

#### Step 1



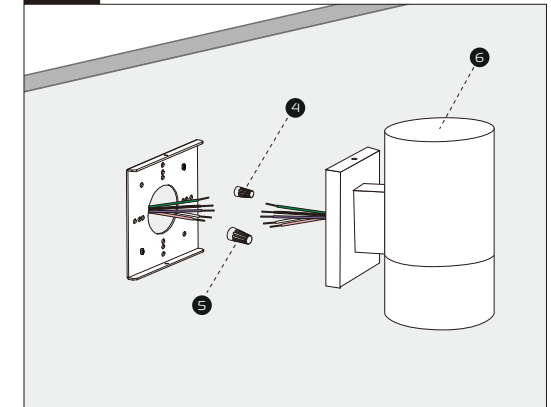
Fix the wall mount bracket into the junction box.

#### Step 3



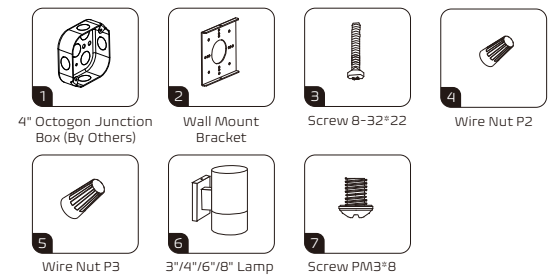
Install the cylinder and fasten the screws

#### Step 2 Wiring



#### PARTS

- 1 4" Octagon Junction Box (By Others)
- 2 Wall Mount Bracket
- 3 Screw 8-32\*22
- 4 Wire Nut P2
- 5 Wire Nut P3
- 6 3"/4"/6"/8" Lamp
- 7 Screw PM3\*8



**ATTENTION: Install in accordance with national and local building and electrical codes.**

All rights reserved. Due to continuous product improvements, specifications and dimensions are subject to change without notice.

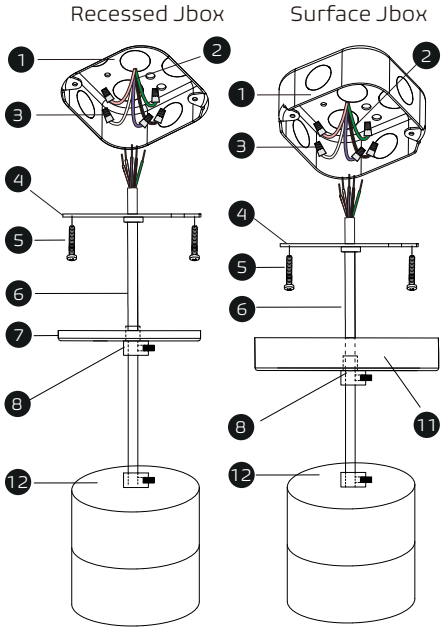
# LED CYLINDER PENDANT

## LED CYLINDER INSTALLATION INSTRUCTIONS

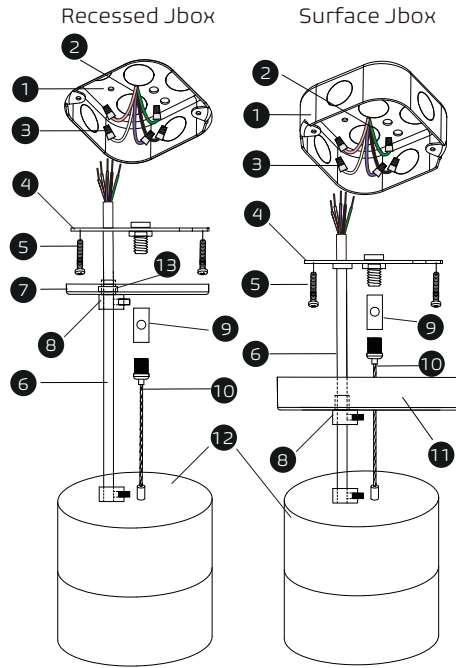


RISK OF FIRE AND ELECTRICAL SHOCK. FIXTURE MUST BE INSTALLED BY A QUALIFIED ELECTRICIAN ONLY IN ACCORDANCE WITH NATIONAL, LOCAL BUILDING AND ELECTRICAL CODES. DISCONNECT POWER AT ELECTRICAL PANEL BEFORE SERVICING.

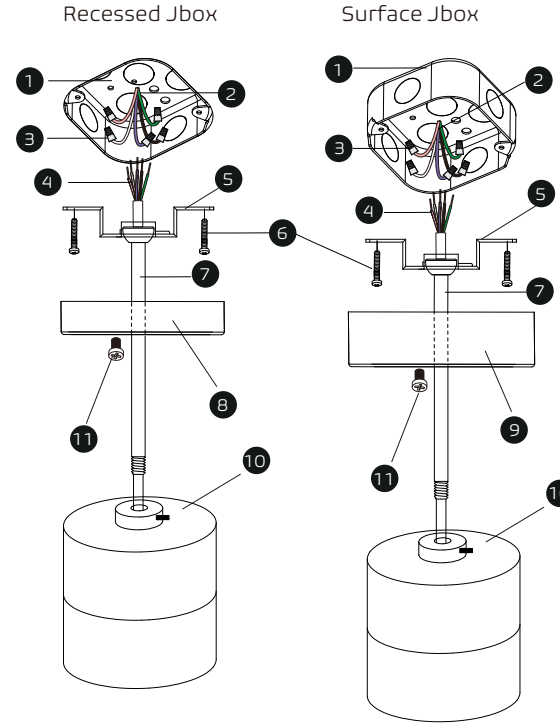
### 3" And 4" Pendant With Cable



### 6" And 8" Pendant With Cable

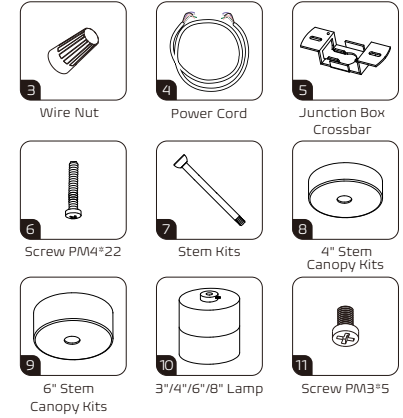
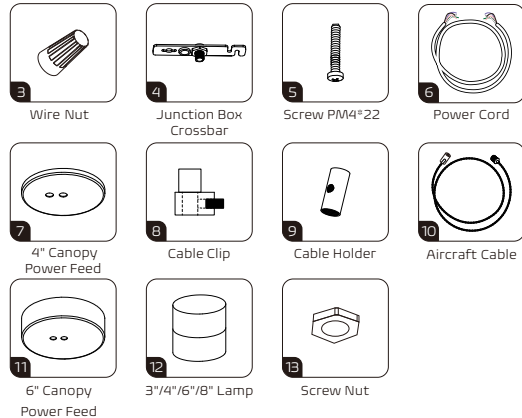


### Pendant With Stem



### PARTS

- 1 4" Octogon Junction Box (By Others)
- 2 Power Cord (By Others)
- 3 Wire Nut
- 4 Junction Box Crossbar
- 5 Screw PM4\*22
- 6 Power Cord
- 7 4" Canopy Power Feed
- 8 Cable Clip
- 9 Cable Holder
- 10 Aircraft Cable
- 11 6" Canopy Power Feed
- 12 3"/4"/6"/8" Lamp
- 13 Screw nut



### PARTS

- 1 4" Octogon Junction Box (By Others)
- 2 Power Cord (By Others)
- 3 Wire Nut
- 4 Power Cord
- 5 Junction Box Crossbar
- 6 Screw PM4\*22
- 7 Stem Kits
- 8 4" Stem Canopy Kits
- 9 6" Stem Canopy Kits
- 10 3"/4"/6"/8" Lamp
- 11 Screw PM3\*5

**! ATTENTION: Install in accordance with national and local building and electrical codes.**

All rights reserved. Due to continuous product improvements, specifications and dimensions are subject to change without notice.