

CONNECTION DIAGRAM:

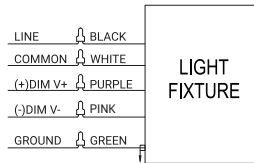
WARNING: TURN OFF POWER BEFORE CONNECTING WIRES.

Black wire connects to L, White wire connects to N, Green wire connects to GROUND.

For 0-10V dimming, the wiring direction is as below:

1. Turn off the power.
2. Connect the BLACK wire with the LINE.
3. Connect the WHITE wire with the COMMON.
4. Connect the GREEN wire with the GROUND.
5. Connect the PURPLE wire with the (V+) DIM.
6. Connect the PINK wire with the (V-) DIM.

CAUTION: DO NOT connect the PINK (-) DIM V - wire with GROUND.



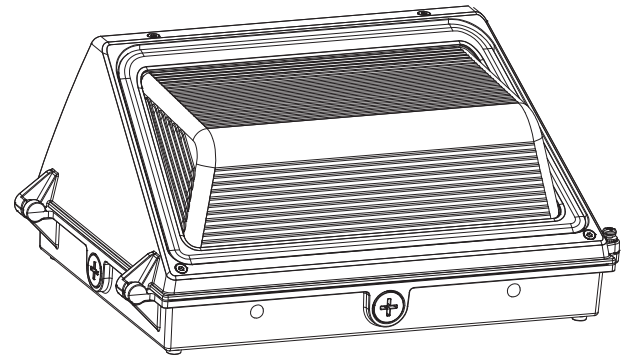
MAINTENANCE AND CLEANING:

WARNING: TURN OFF POWER BEFORE MAINTENANCE AND CLEANING.

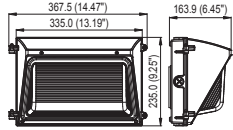
1. Before touching the fixture, make sure the fixture is cooling.
2. Do not clean or maintain while the fixture is energized.
3. Clean the lens & fixture with a non-abrasive glass cleaning solution.
4. Do not open the fixture to clean and touch LED chips.

LED Semi-Cutoff Wall Pack

Installation Instructions



DIMENSIONAL DRAWING:



14"

IMPORTANT CAUTION:

READ CAREFULLY BEFORE INSTALLING FIXTURE. RETAIN THESE INSTRUCTIONS FOR FUTURE REFERENCE.

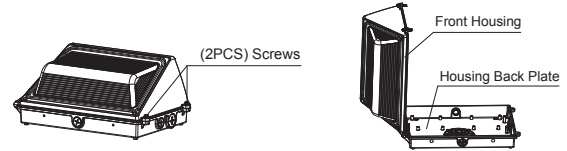
WARNING: TURN OFF POWER BEFORE INSTALLATION.

1. Review the diagrams before beginning, and make sure the fixture is grounded properly.
2. This fixture has to be installed or maintained in accordance with the application code by a professional person who is familiar with the construction and operation of the product and the hazards involved.
3. This fixture must be wired in accordance with the international electrical code and applicable local codes and ordinances.
4. Proper grounding is required to ensure personal safety. Carefully observe the correct grounding procedure under the installation section.
5. Check that the voltage is compatible with the fixture driver, and use approved connectors for all electrical connections.

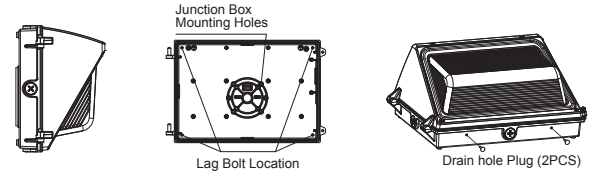
INSTALLATION:

1. Unscrew the Front Housing with a Philips screwdriver by loosening (2) screws. Confirm junction box size and junction box mounting provisions to that of the light fixture.
2. Attach the light fixture to the junction box or mounting surface.
3. Attach the appropriate wires to the light fixture wires, green to green, black to black, and white to white. Secure each wire pair with a wire nut. (Wiring instruction FYI.) The cable inlet needs to be waterproofed, such as applying waterproof glue.

4. Close the Front Housing and tighten screws(2pcs) on the Front Housing.



5. The bottom shell is sprayed with glue and tightly sealed to the wall. The fixture must be mounted on the wall with the lens facing down as shown in the picture. After the product is installed, remove the two drain hole plugs to prevent internal water accumulation.



FUNCTION ADJUSTMENT:

Follow the instructions below to change fixture Color Temperature (CCT), Power (W), and/or Photocell On/Off option from the factory default settings before installation:
Factory Default Settings: Max wattage, 5000K, Photocell/ON

1. Locate the Selector Switches on the side of the Housing as shown in the figure and remove the Selector Switch Cover Plug.
2. Select Color Temperature (CCT), Power (W), and/or Photocell On/Off position by sliding the respective switch to the desired value.
3. Replace the Selector Switch Cover Plug. Tighten the plug to prevent water.

