

Specification Sheet

LED Linear Suspended UP & Down Light



FEATURE

- Featuring tunable White Color Temperature: 3000K, 4000K and 5000K
- Adjustable Wattage to meet different customer demand
- 0-10V Dimmable
- Body: Aluminum Heatsink for Efficient Heat Dissipation
- Diffusers are extruded from impact modified acrylic for increased durability
- Multiple type combination connection
- High efficiency: 130lm/w, DLC premium listed
- WARRANTY--5-year limited warranty



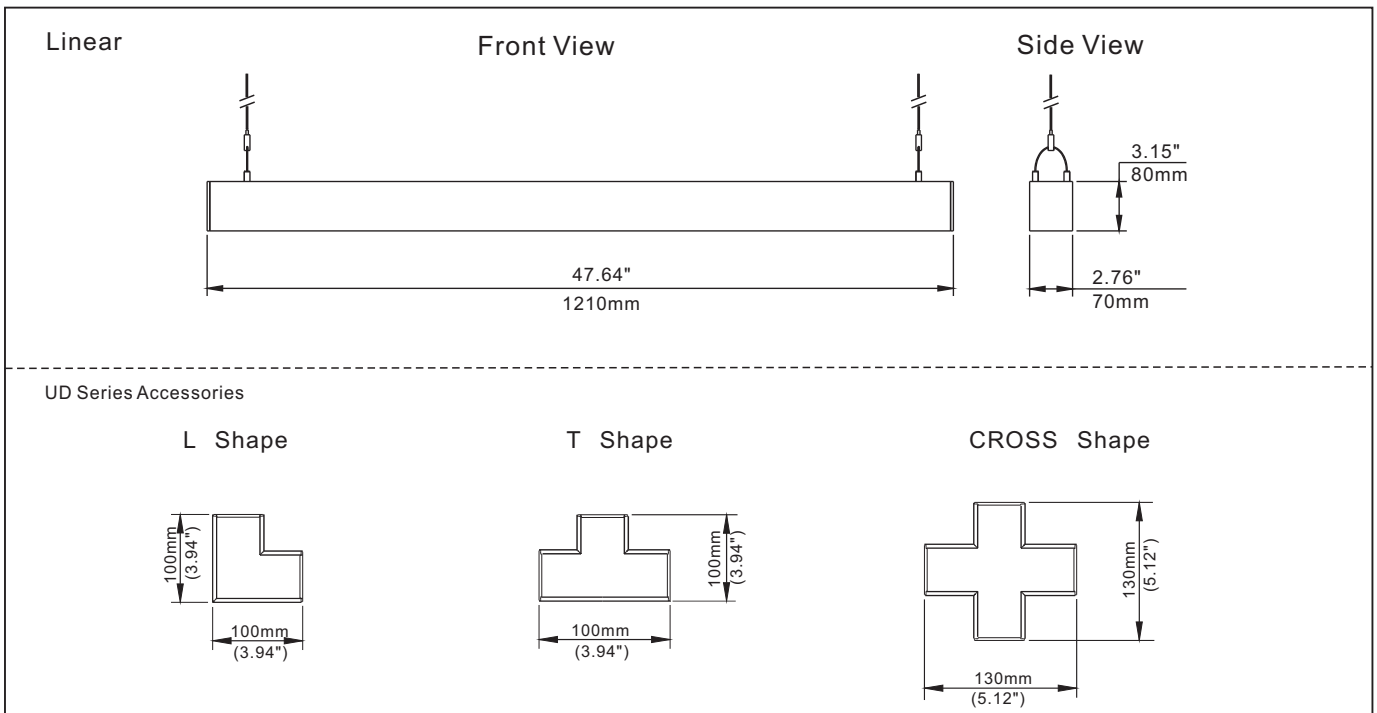
APPLICATION

- Office; hotel; conference room; display room; school/installation; retails...

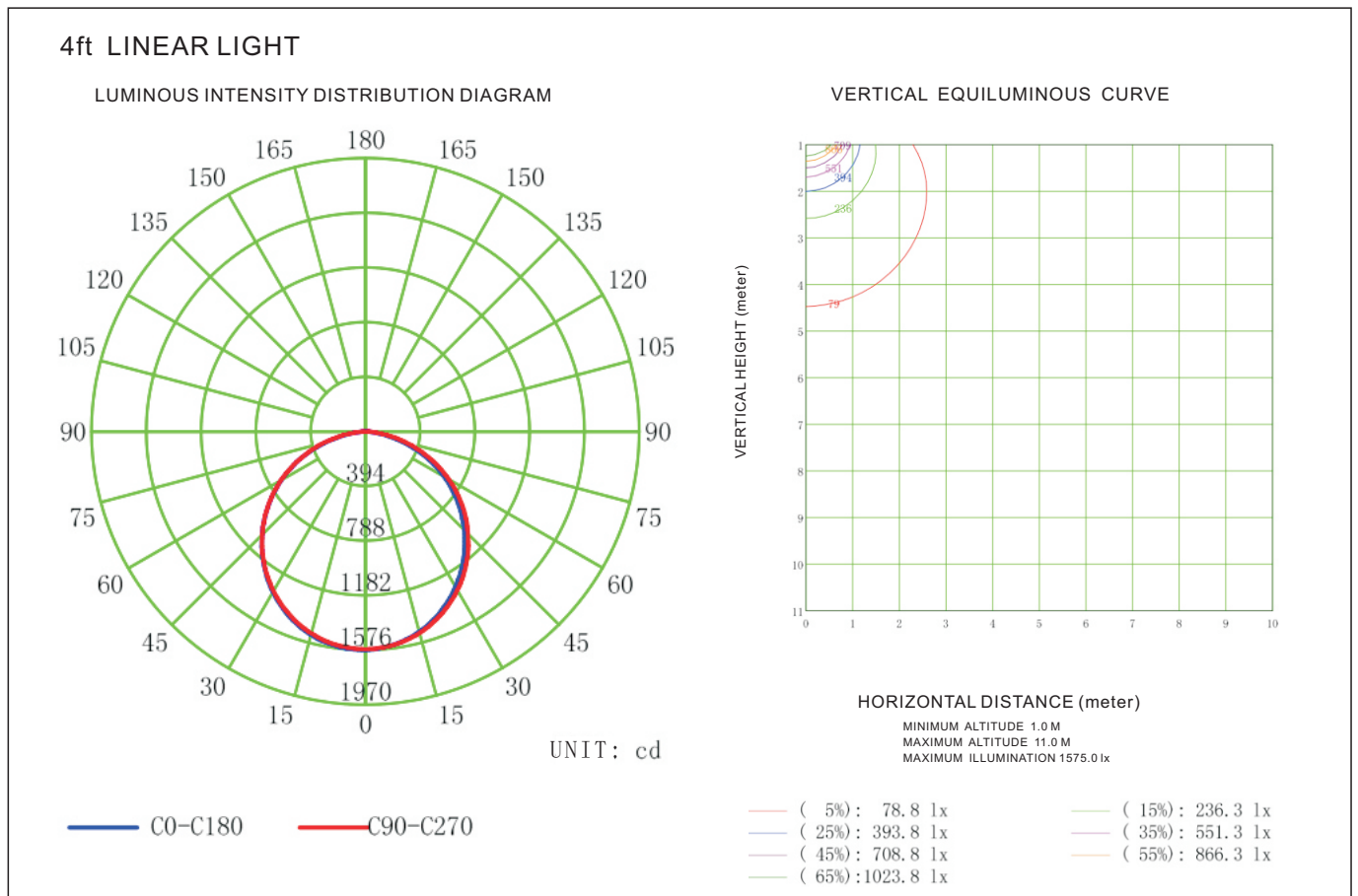
SPECIFICATIONS

Model No.	J -4FT-UD-50W-30K/40K/50K-(BK)
Power:	50W
Size:	4ft
Input Voltage:	120-277 VAC
Dimming	0-10V Dimmable
Lumens	6500 LM
Protection Rating	IP20 (For Indoor Use Only)
Power Factor:	>0.9
Beam Angle	100°
CCT:	3000K/4000K/5000K
CRI:	>80
Working Life:	Lumen Maintenance over 70% @ 50,000+ Hours
Oper. Temperature	-13°F ~+113°F / -25°C ~+45°C
Certification	DLC Premium / ETL

PRODUCT DIMENSIONS



PHOTOMETRIC REPORT



ORDERING GUIDE

Package Information				
Model No.	J-4FT-UD-50W-30K/40K/50K-(BK)	UD Series Accessories		
		L-02(BK)	T-02(BK)	X-02(BK)
Size	4ft	L Shape	L Shape	Cross Shape
Qty/Pack	4 PCS	12 PCS		
Package Size	1255X258X258mm 49.41"X10.16"X10.16"	410X360X135mm 16.1"X14.2"X5.3"	565X275X135mm 22.2"X10.8"X5.3"	480X360X135mm 18.9"X14.2"X5.3"
Package Weight	17.95 kg/39.57 lbs			
Package CBM	0.083538			
40GP Capacity	~2770PCS			
40HQ Capacity	~3250PCS			
45HQ Capacity	~3730PCS			

ORDERING CODE DEFINITION

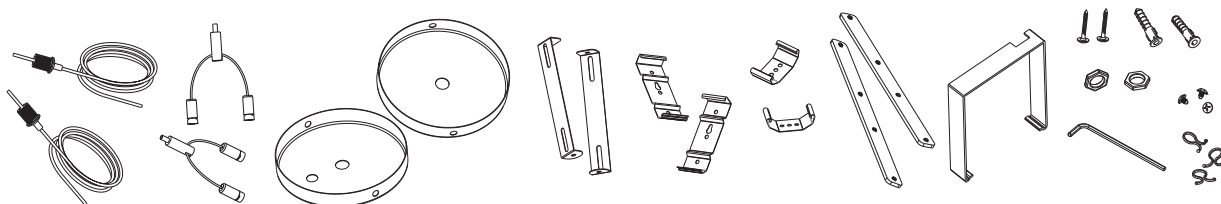
Company Code	Size	Product	Watt	CCT	(BK)
J	4FT	UD:LED Linear Suspended UP & Down Light	50W	3000K/4000K/5000K	Black

WARNING

- This product must be installed in accordance with the applicable installation code by a person familiar with the construction and operation of the product and hazards involved
- Risk of fire or electric shock. LED lamp installation requires knowledge of luminaries electrical systems. If not qualified, do not attempt installation. Contact a qualified electrician.
- Use in dry locations only.
- This lamp supports dimming function, must use with dimmers.
- Small noises when shaking does not affect the quality.



Accessories bag includes



INSTALLATION INSTRUCTION

Choose the following three installation methods as needed

A Suspension installation

1

SIZE	L
2FT	300mm ± 20 (11.8" ± 0.8")
4FT	900mm ± 20 (35.4" ± 0.8")
8FT	2100mm ± 20 (82.7" ± 0.8")

Drill a hole of 5.0mm in diameter as shown in the figure at the location required for installation. Then hammer the plastic anchor into the hole

2

M type mounting bracket

Insert PA4X35 screws into the M type mounting bracket and then drill into the plastic anchor.

3

Rotate and fasten 2 fixing heads and 2 screws of left end; hold steel wire rope and lift lamp upward, then adjust balance screws to balance light, finally tighten balance screws.

4

Hex Nut

Cable protective covert

Wire Clamp

Insert the wire clamp into the middle hole of the disc and tighten the wire clamp with hex nut; Clip the cable protective cover into the AC line hole of the disc.

5

Purple/0-10v DIM+
Grey/0-10v DIM-
Green/Earth
White/Neutral
Black/Live

Press the wire clamp as shown in the figure, and then insert the stainless steel wire into the inner hole of the wire clamp; The mounting height of the lamp could be adjusted by this wire clamp.
Insert the AC input cable through the cable protective cover and connect it with the AC line by the corresponding connection wire with L, N, GND
Adjust the length of the AC input cable, align the side holes of the disc and the mounting bracket as shown in the figure, then tighten the screw.
The installation is completed.

B Surface mount installation

$\phi 6\text{mm}(0.236\text{'})$

$\phi 6\text{mm}(0.236\text{'})$

L

SIZE	L
2FT	300mm ± 20 (11.8" ± 0.8")
4FT	900mm ± 20 (35.4" ± 0.8")
8FT	2100mm ± 20 (82.7" ± 0.8")

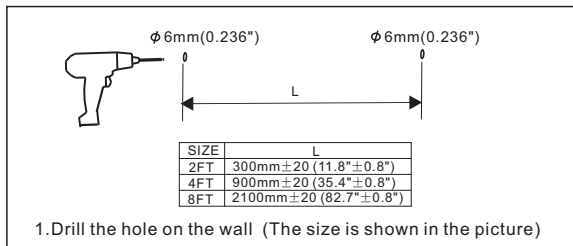
1. Drill the hole on the ceiling (The size is shown in the picture)

2. Drill the anchoring into the opened hole with a nail hammer

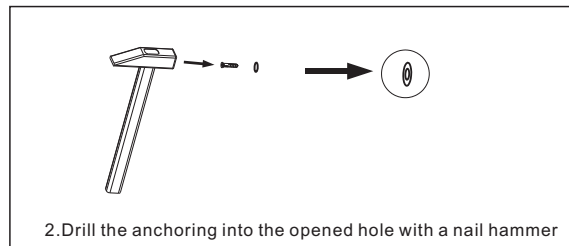
3. Secure the mounting clips on the ceiling

4. Align the back of the lamp with the clips on the ceiling and install the fixture to the mounting clips

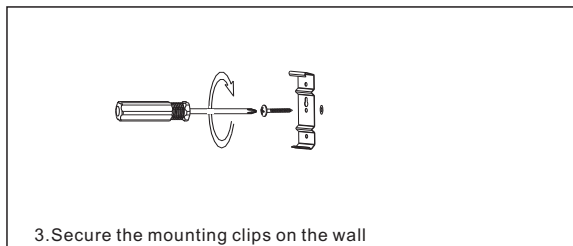
C Wall mounted installation



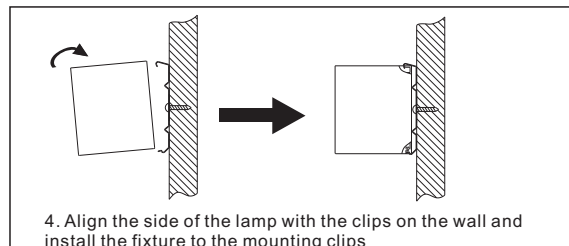
1. Drill the hole on the wall (The size is shown in the picture)



2. Drill the anchoring into the opened hole with a nail hammer



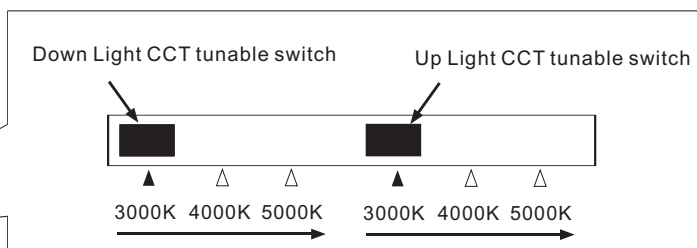
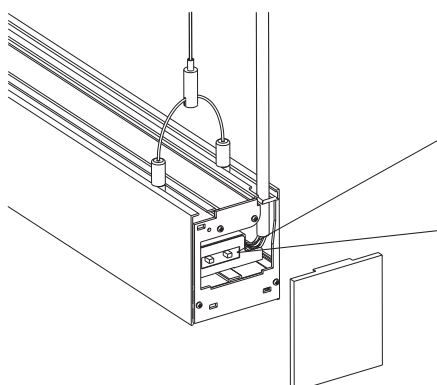
3. Secure the mounting clips on the wall



4. Align the side of the lamp with the clips on the wall and install the fixture to the mounting clips

CCT Adjustable

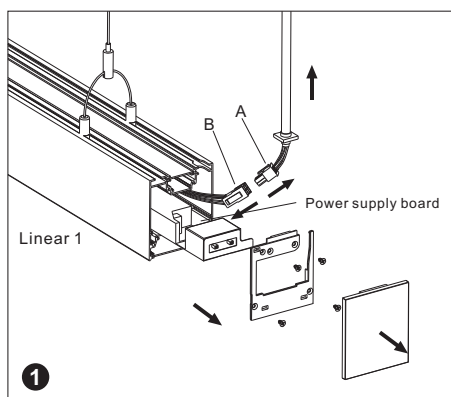
Open the end cap the sideWith AC wire as the picture shows.
Moving the Dip to choosethe CCT or you want as the label shows.



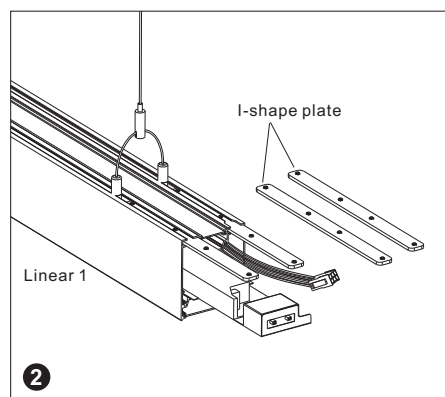
NOTE:
The SAME is true of CCT Adjustable for LUD series accessories

Connection Installation

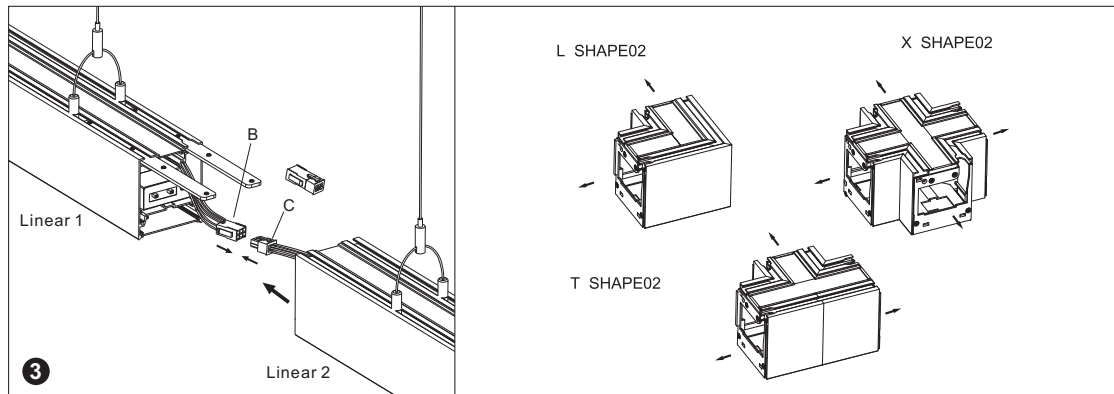
Please find the connector in the accessories bag.



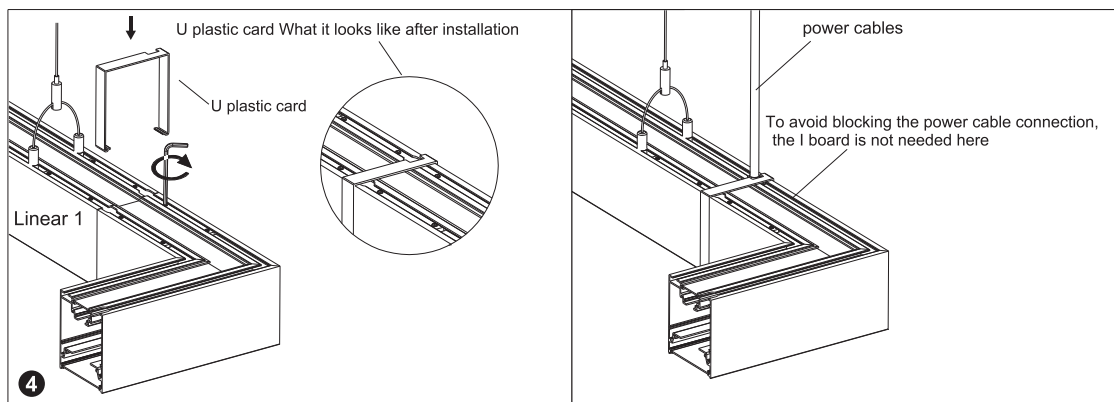
1. Install the Linear 1 to the ceiling as instruction of Suspension Installation.
Open the end cap as the picture shows.
Pull out ½ Power supply board of Linear1, and move out the AC wires.
Disconnect the A and B parts.



2. Insert the I-shape plate to the track as the picture shows.

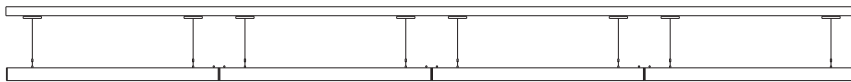


Install the Linear 2 (or L shape,T shape,CROSS shape combination connection fittings) to the ceiling and open the end cap, connect B and C as the picture shows.



Push back Power Supply Board to Linear 1 then insert the I-shape plate to Linear 2 (or L shape,T shape,CROSS shape Combination connection fittings), tighten the I-shape plate with 8 pcs screws.Finally, the U plastic card is buckled at the joint to make the lamps and lanterns more beautiful

Install the Linear Light as above method, keep one main input cord on one side.



NOTE: LED LINEAR CAN BE JOINTED TOGETHER AS NEEDED, BUT THE TOTAL NUMBER OF FIXTURES SHOULD BE NOT MORE THAN 7PCS (INCLUDING 7PCS) If you order to use 18# cord, More Links can be Customized.

Examples of product portfolio shapes

