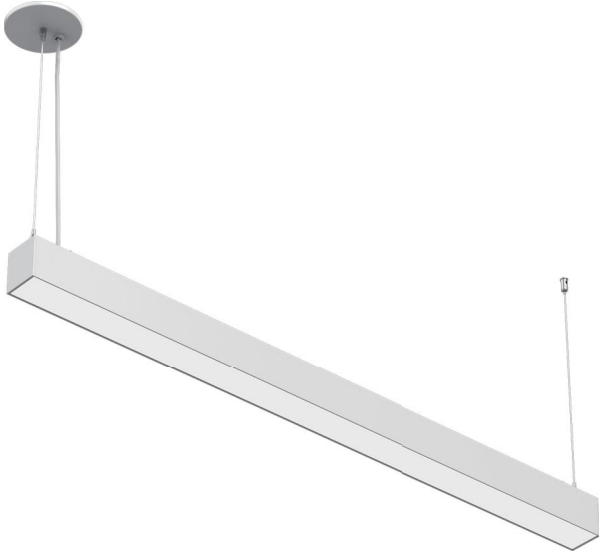


# LED UP DOWN LINEAR LIGHT

## J-LS02®



### FEATURES AND SPECIFICATIONS

#### Construction

- Light direction is selectable from Down only, Up only or both Down & Up lights.
- Five lighting distribution ways switchable: Up 100%+Down 0%, Up 70%+Down 30%, Up 50%+Down 50%, Up 30%+Down 70%, Up 0%+Down 100%
- Control CCT of down or uplight individually, Switch from 3500K, 4000K & 5000K.
- Sensor and emergency battery backup are available.

#### Electrical

- Working voltage 120-277V
- 0-10V dimming standard for a dimming range of 100% to 0%.
- Operating Temperature Range: -20°C to +45°C (-4°F - + 113°F).
- Note: Operating with emergency battery temperature range: 5°C to 45°C (+41°F - + 113°F).

#### Applications

- Commercial area, Residential area, Convention center, Office, Lobby, hospitality, Showroom, Hotel.

#### Installation

- Pendant mounting, surface mounting and wall mounting standard. Linkable mounting: 15pcs MAX unique end cap simplifies install a seamless continuous runs or individuals.

#### Listing

- UL listed.
- DesignLights Consortium® (DLC) Premium

#### Warranty

- 5-year limited warranty

Specs at a Glance	* Nominal Wattage (Switchable)
Configuration	DB7E-4-50W- A5C3
CCT (K)	UP 3500K 4000K 5000K Tunable DOWN 3500K 4000K 5000K Tunable
Wattage (W)*	50/35/25/15W adjustable
Lumens (lm)	50W=6500lumens 35W=4550lumens 25W=3250lumens 15W=1950lumens
Efficacy (LPW)	130lm/w
Size	4FT
CRI	>80
Input Voltage	AC 120-277V
Operating Temp	-20°C-45°C
Certifications	UL&DLC 5.1 Premium
Warranty	5-year limited warranty


# LED UP DOWN LINEAR LIGHT

## Ordering information

Model	Description
DB77E-4-50W- A5C3	4FT linear strip light, Power Switchable 50W/35W/25W/15W, Color Switchable 3500K/4000K/5000K 120-277VAC

## Detail

### Color Temperature & Light Distribution Field Adjustable Controls



CCT Switchable  
3500/4000/5000K

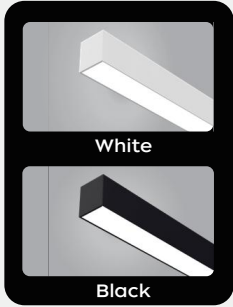
Uplight    Downlight

Adjustable Light Distribution

- ① UP: 100% & DOWN: 0%
- ② UP: 70% & DOWN: 30%
- ③ UP: 50% & DOWN: 50%
- ④ UP: 30% & DOWN: 70%
- ⑤ UP: 0% & DOWN: 100%

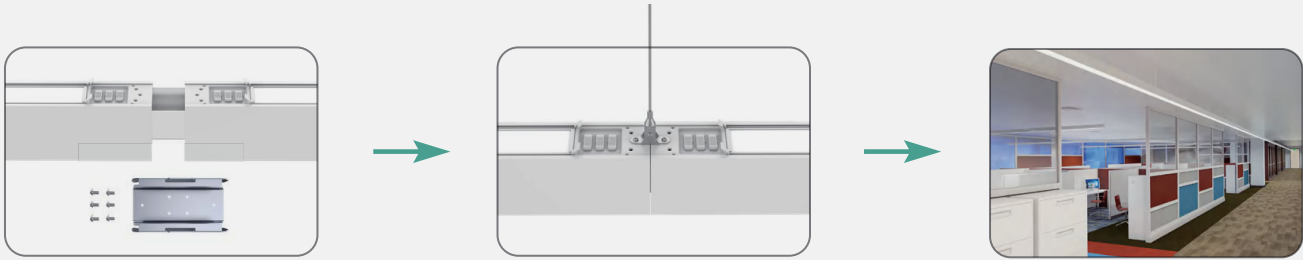
**FINISH OPTIONS:**

- White
- Black



Pendant (Up&down)    Pendant (Up)    Pendant (Down)    Surface mounted    Recessed    Wall mounted (Up&down)    Wall mounted (Up)    Wall mounted (Down)

### Seamless continuous connection easily

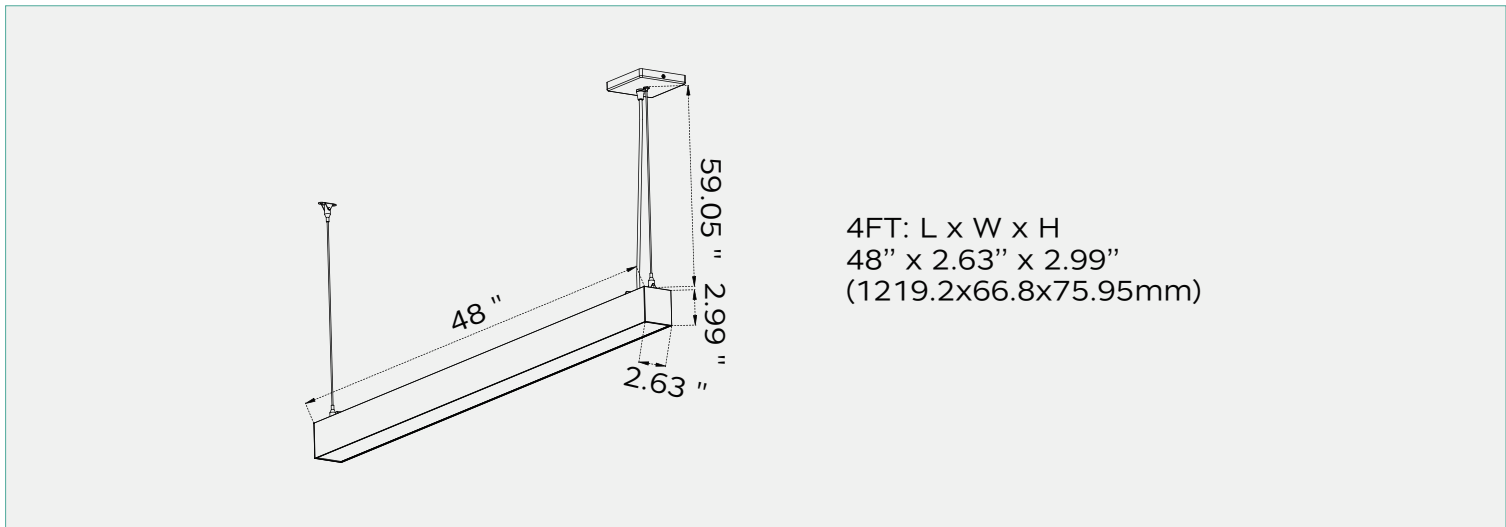


# LED UP DOWN LINEAR LIGHT

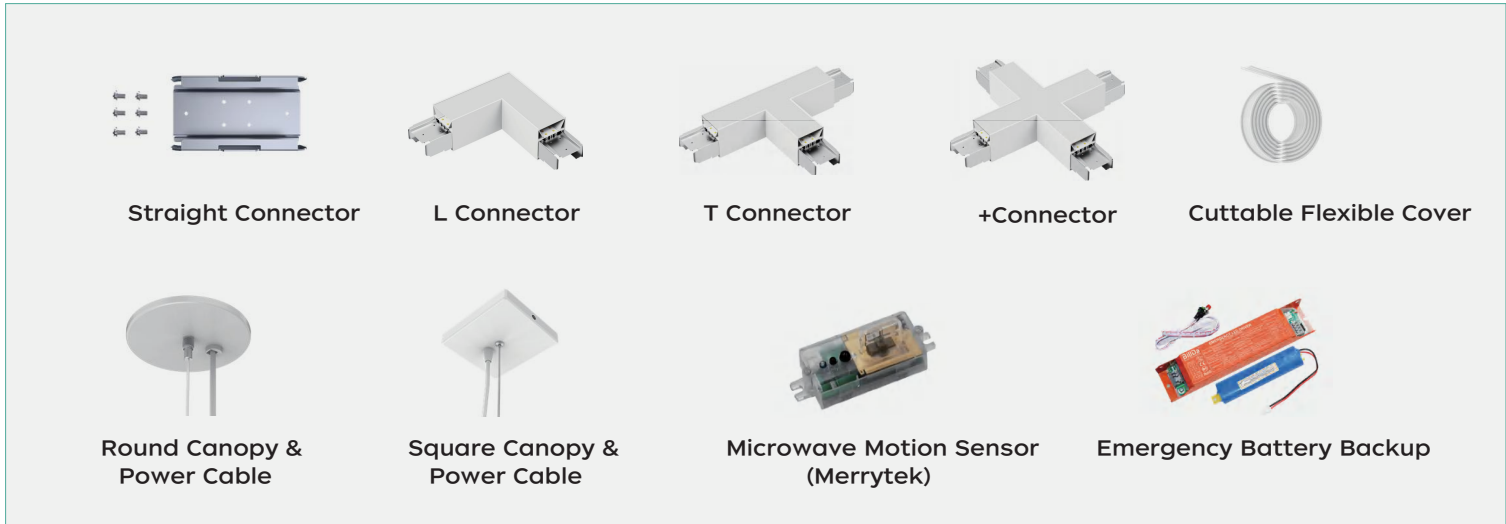
## Link Pattern



## Dimensions



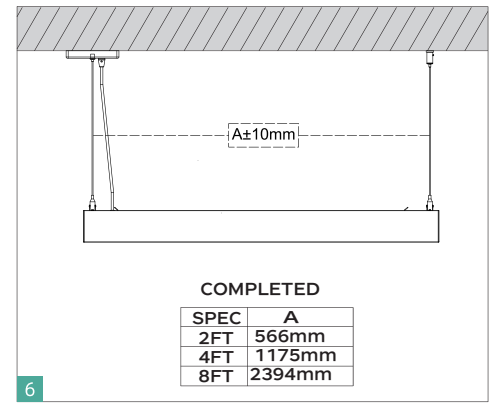
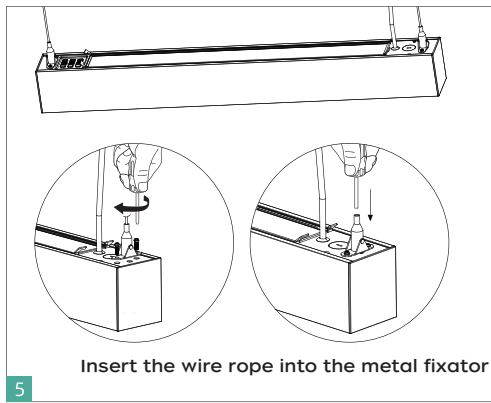
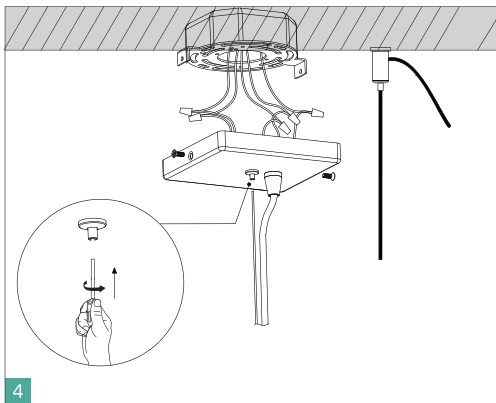
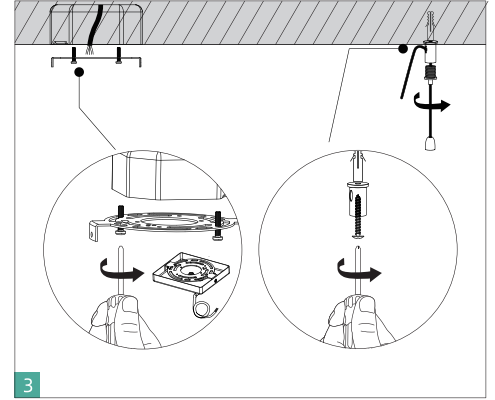
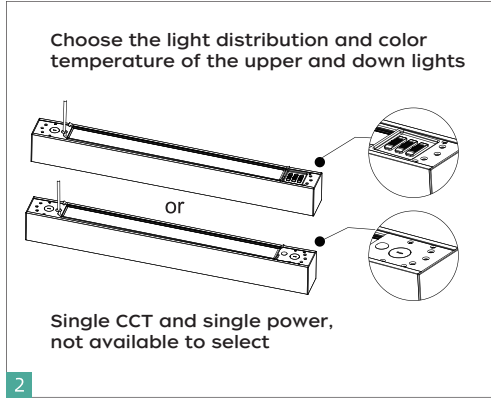
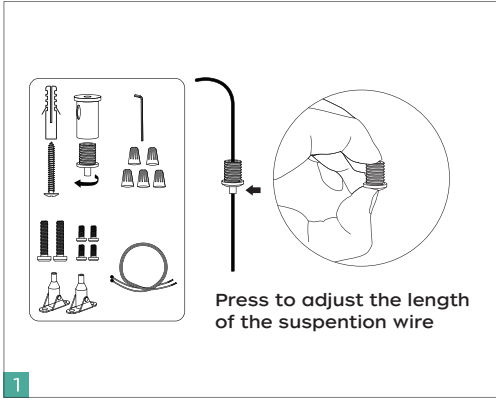
## Accessories



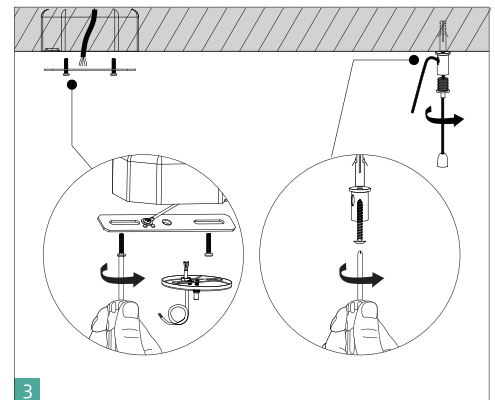
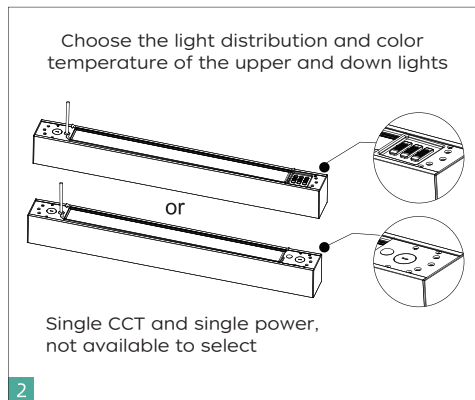
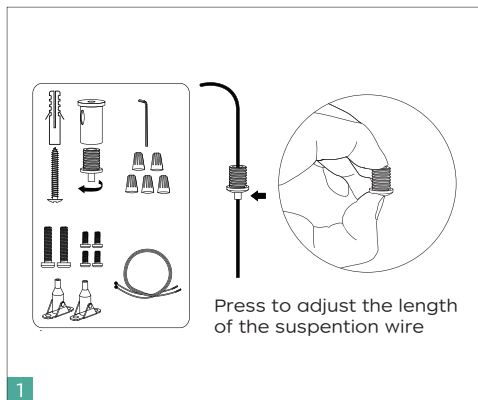
# LED UP DOWN LINEAR LIGHT

## Installation Instruction

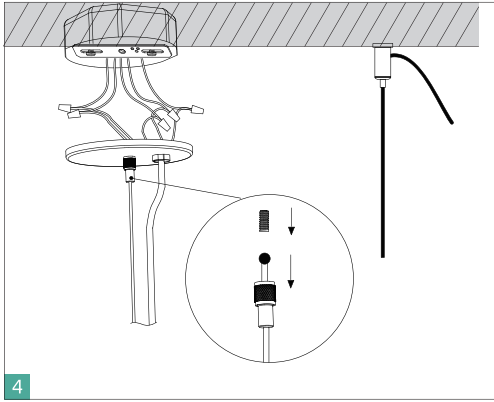
### Suspension installation with square surface plate.



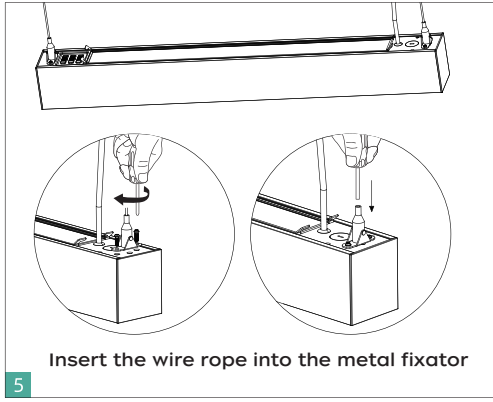
### Suspension installation with square surface plate.



# LED UP DOWN LINEAR LIGHT

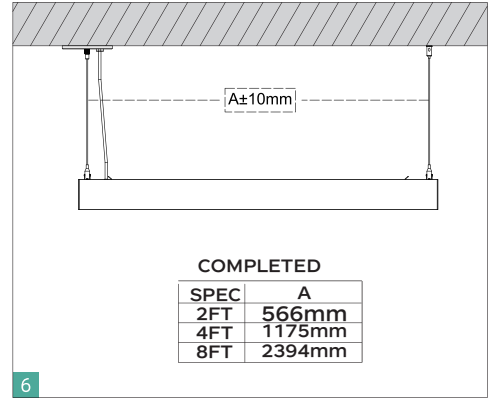


4



Insert the wire rope into the metal fixator

5

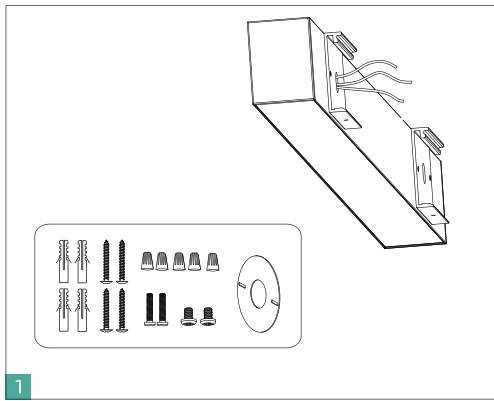


COMPLETED

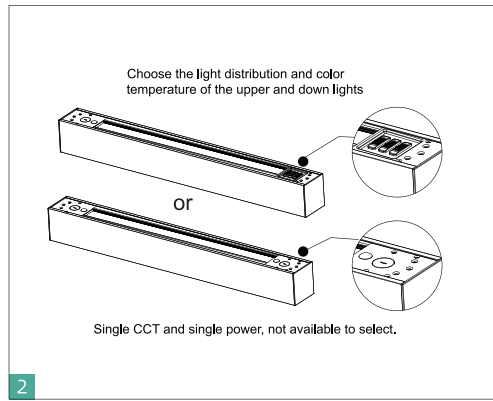
SPEC	A
2FT	566mm
4FT	1175mm
8FT	2394mm

6

## Wall mounted installation



1

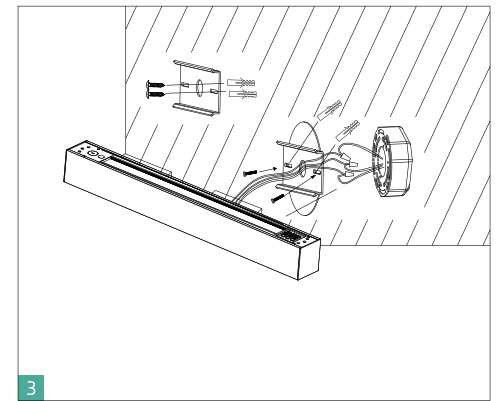


Choose the light distribution and color temperature of the upper and down lights

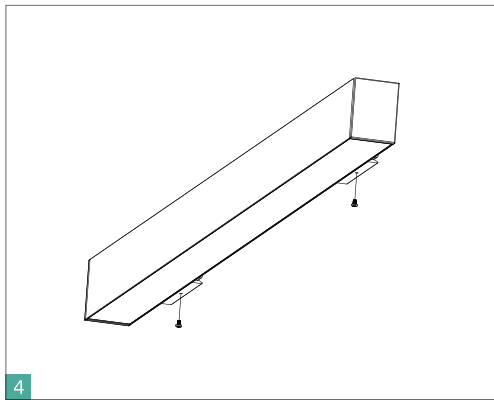
or

Single CCT and single power, not available to select.

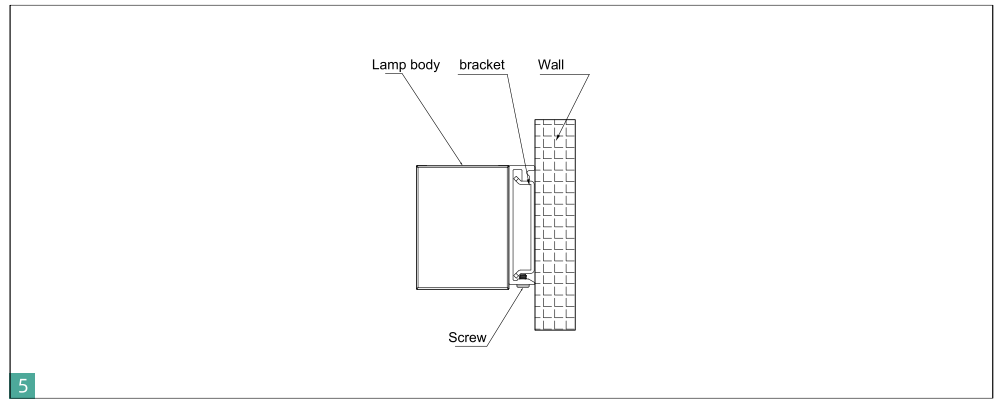
2



3

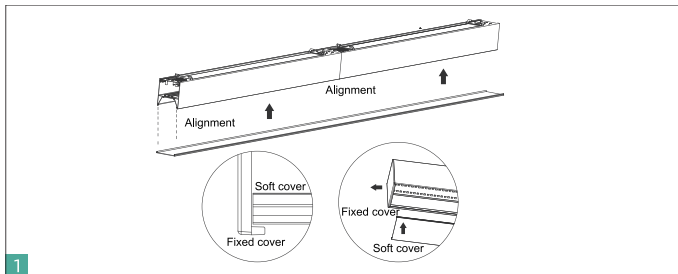


4

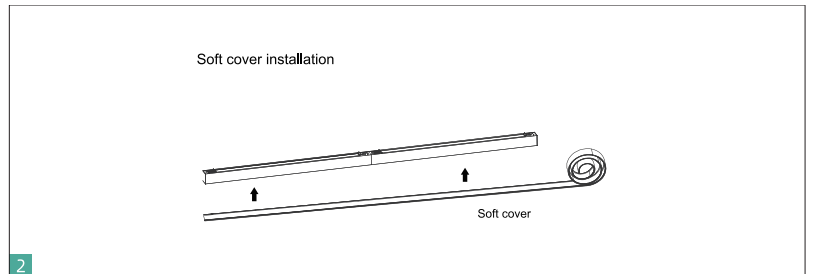


5

## Cover installation



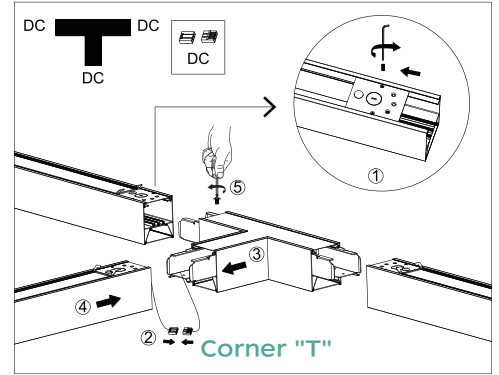
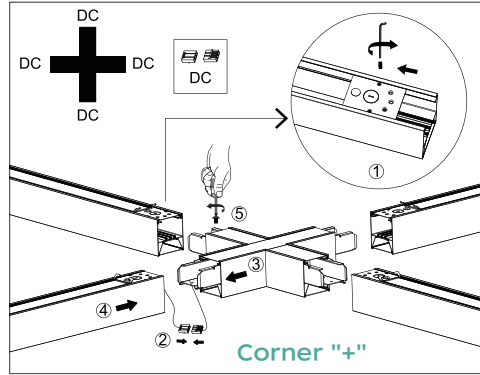
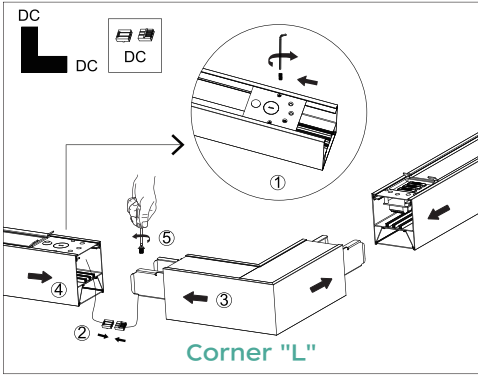
1



2

# LED UP DOWN LINEAR LIGHT

## Link Pattern



## Installation Instruction

Model number	L /inch	W /inch	H /inch	QTY/ctn	G.W./lbs	CTN QTY/ pallet
DB77E-4-50W- A5C3	52.3	1.2	1.3	6	46.7	/