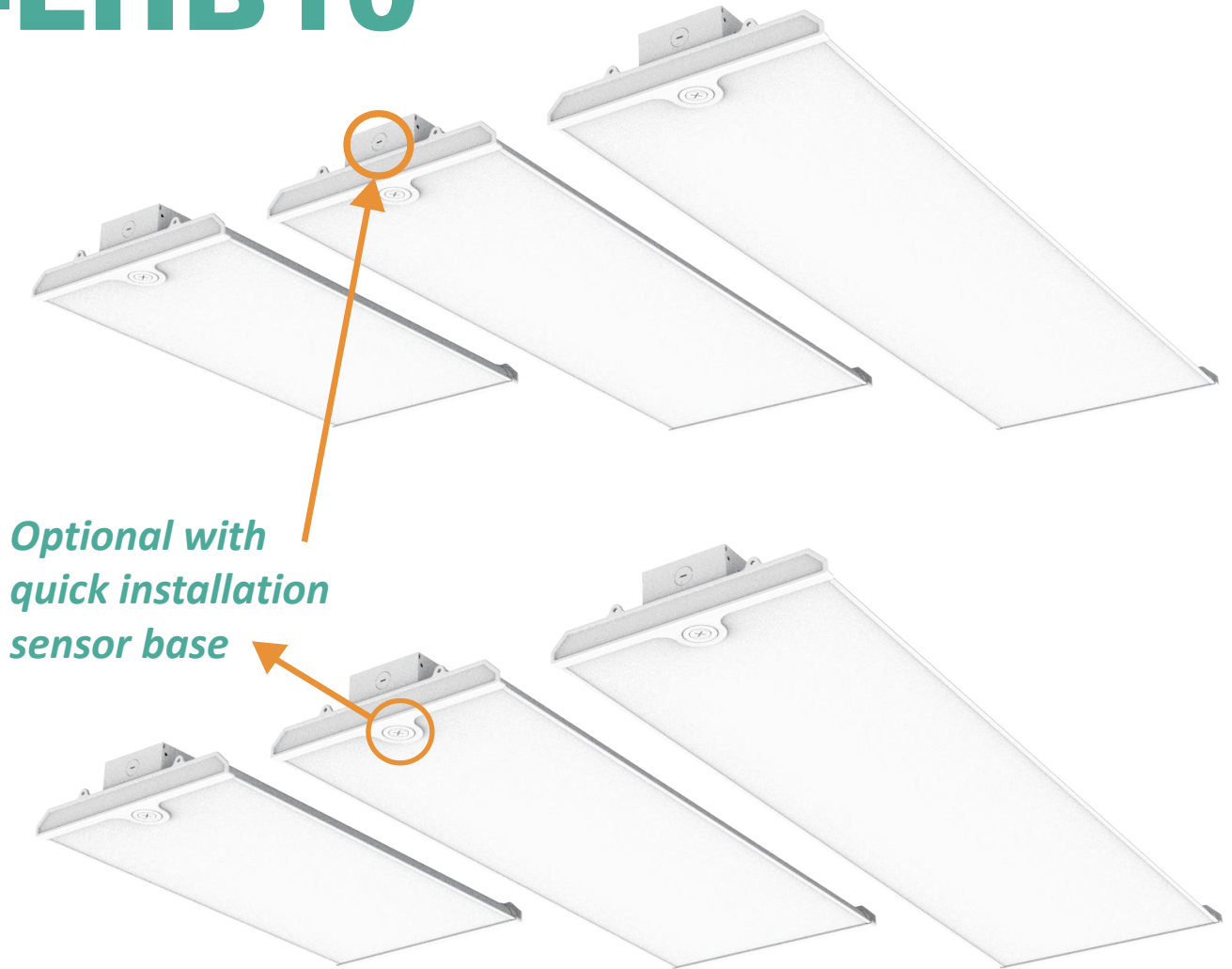


LINER HIGHBAY LIGHT

J-LHB10[®]



- **Wattages:**
2FT:110W/130W/160W
3FT: 175W/200W/225W
4FT:250W/275W/300W
255W/300W/400W
- **DLC&ETL certification**
- **Application warehouse, supermarket, covered court, utility areas etc**
- **CCT switchable:**
4000K/5000K/5700K
- **Input voltage: AC120-277V**
- **Lumen:160LM/W**
- **PF>0.9,CRI>80**



LINER HIGHBAY LIGHT

DETAILS

Features

Durable design - constructed of a robust durable housing.
 High quality drives make the product more stable and reliable.
 CCT and wattage switchable through dip-switches or controller.
 High-quality LEDs, provide bright and uniform lighting.
 Compatible with standard 0-10V dimmer.
 Working temperature: -4°F~113°F

Installations

Suspend the fixture by using suspension chain.
 Pendant the fixture on steeve by junction box.

Certifications

DLC premium.
 Comply with the requirements of the Standard(s) for Luminaires (CAN/CSA-C22.2 No. 250.0) and are identified with the ETL Listed Mark.

Accessories

Emergency battery, motion sensor, surface mounted kits for option.

Warranty

5 years Warranty

SUITABLE APPLICATIONS

- Warehouses
- Distribution Centers
- Gymnasiums
- Manufacturing Plants
- Airports
- Indoor open spaces



ORDER GUIDE

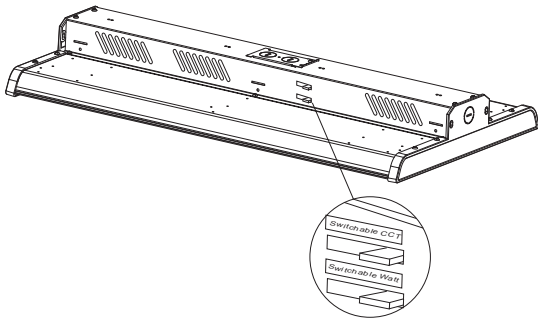
Model	Power	CCT	Efficacy	Lumen
J-LHB10-2FT -110/130/160W-4057K	110W/130W/160W (Switchable)	4000K/5000K/5700K	160LM/W	17600Lm-25600Lm
J-LHB10-3FT -175/200/225W-4057K	175W/200W/225W (Switchable)	4000K/5000K/5700K	160LM/W	28000Lm-36000Lm
J-LHB10-4FT -250/275/300W-4057K	250W/275W/300W (Switchable)	4000K/5000K/5700K	160LM/W	40000Lm-48000Lm
J-LHB10-4FT -255/300/400W-4057K	255W/300W/400W (Switchable)	4000K/5000K/5700K	160LM/W	40800Lm-64000Lm

LINER HIGHBAY LIGHT

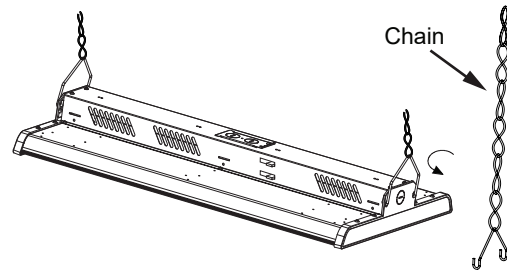
INSTALLATIONS

- Chain Installation

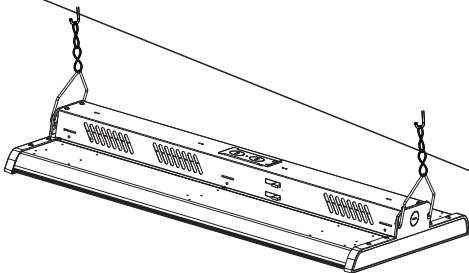
1. Select the desired power and colour temperature on the dip switches.



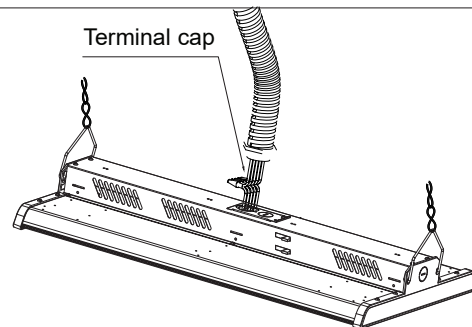
2. Hook the chain as below pic, and insert the hook into the slotted holes, as shown below.



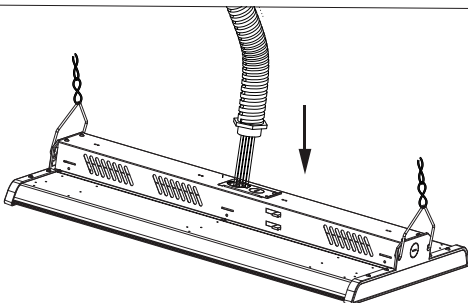
3. Hook up the chain on the ceiling anchor



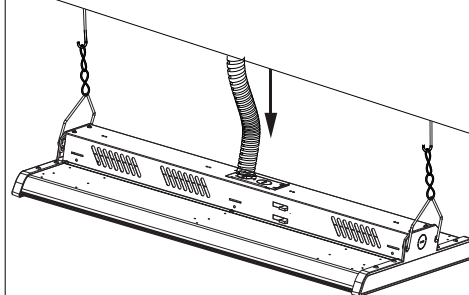
4. Turn off power, and make wiring connections with terminal cap.



5. Insert the terminal cap and wires into the driver box.



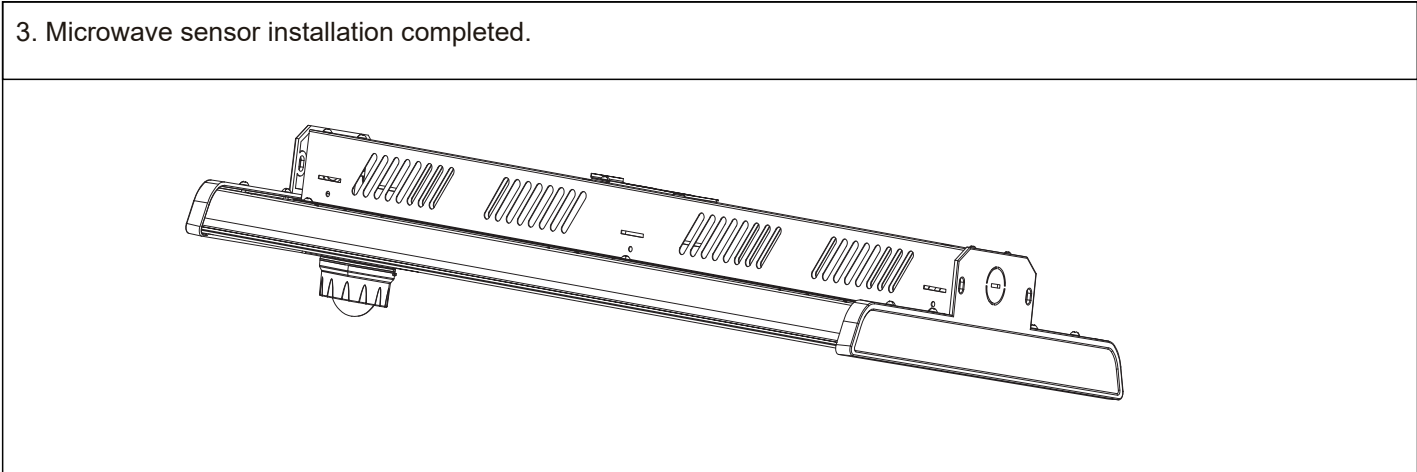
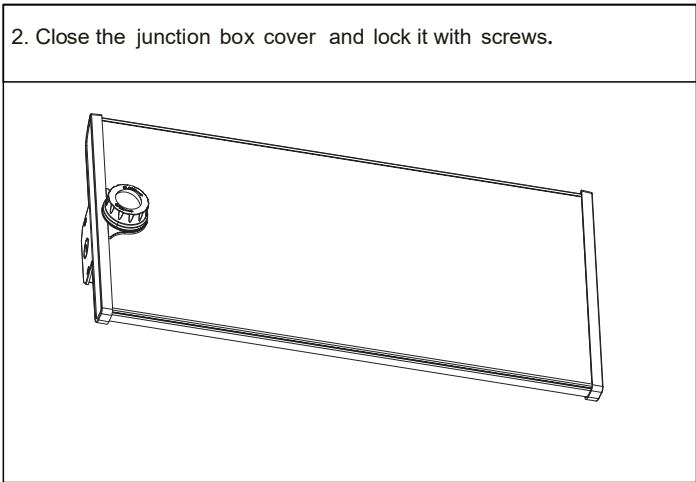
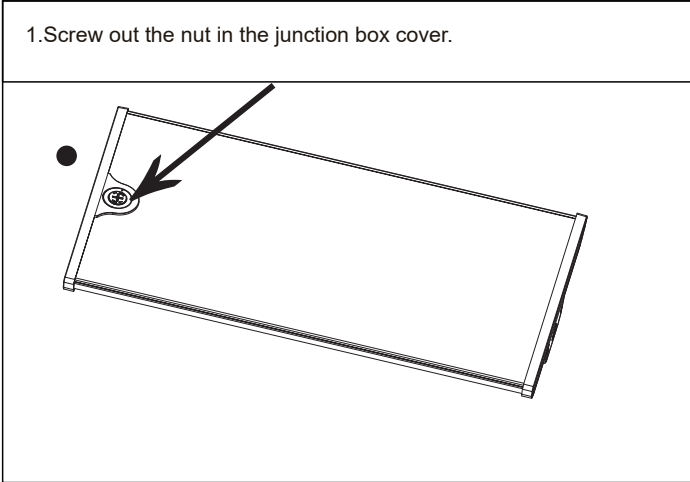
6. Insert the wire terminal joint to the wire entry. Installation completed.



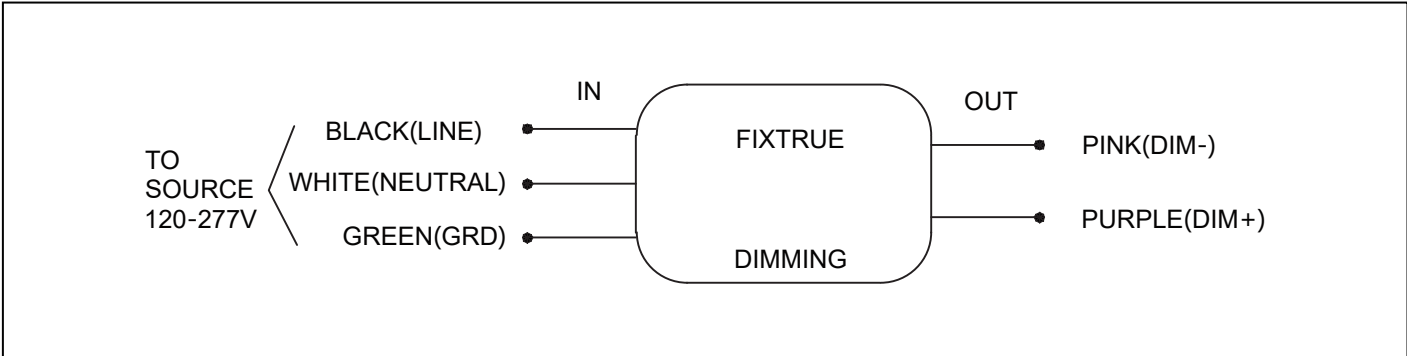
LINER HIGHBAY LIGHT

Motion sensing Installation

- QUICK INSTALLATION OF MOTION SENSOR

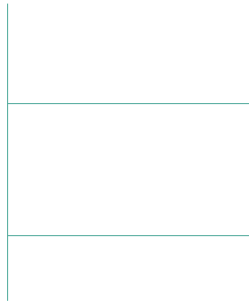


- WIRING DIAGRAM



LINER HIGHBAY LIGHT

ACCESSORIES(orderseparately)



1 EMERGENCY BATTERY

2 REMOTE CONTROLLER

3 SMART SENSOR

4 SUSPENSION MOUNTED KIT



Emergency Battery



Smart Sensor



Remote Controller



Suspension Mounted Kit

Introduction to the characteristics of accessories

Emergency Battery

- UL listed approved
- Emergency power: 20W
- Charging time: 24 hours
- Illumination time: 90 minutes

Smart Sensor

- Output Dimming: 0-10V
- Max Installation height: 49ft for Microwave, 39ft for PIR
- Detection Distance: 10ft

Remote Controller

- LCD screen display
- Memory and apply function
- Universal smart controller for dimmable sensor

Suspension Mounted Kit

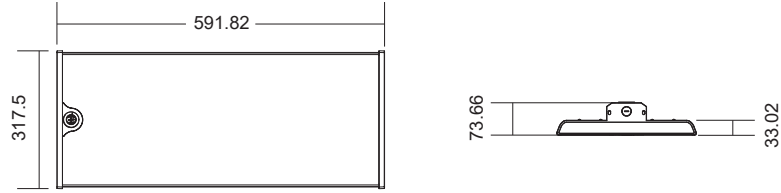
- For suspending the Highbay
- Material: stainless steel

LINER HIGHBAY LIGHT

DIMENSIONS

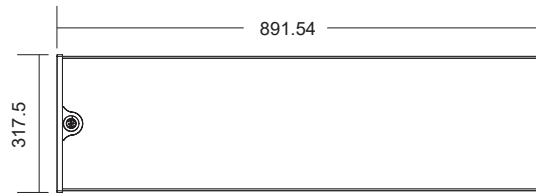
2FT

591.82*317.5*73.66 mm
23.3*12.5* 2.9 inch



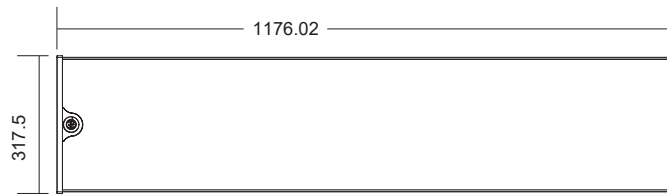
3FT

891.54*317.5*73.66 mm
35.1*12.5* 2.9 inch



4FT

1176.02*317.5*73.66 mm
46.3*12.5* 2.9 inch



PACKAGING

Items	Master Carton Size	Gross Weight	Pcs / Carton
J-LHB10-2FT-110/130/160W-4057K	24.8 × 6.8 × 14.2 inch	16.2 lbs	2
J-LHB10-3FT-175/200/225W-4057K	36.6 × 6.8 × 14.2 inch	20.3 lbs	2
J-LHB10-4FT-250/275/300W-4057K	47.8 × 6.8 × 14.2 inch	23.0 lbs	2
J-LHB10-4FT-255/300/400W-4057K	47.8 × 6.8 × 14.2 inch	23.0 lbs	2

