

# LED LINEAR STRIP LIGHT

## J-ST05<sup>®</sup>



### FEATURES AND SPECIFICATIONS

#### Construction

- 5Wattage and 3 CCT Selectable.
- High lumen efficient 140lm/w on averag.
- Surface-mounting in standard. Suspending mounting available.
- 8FT is option.
- 0-10V dimmable in standard configuration.
- Sensor controls, emergency versions for options.
- Seamless Electronic Link-able available.
- Wiring both on two ends and in the middle available.

#### Electrical

- Universal voltage 120-277V

#### Applications

- Shopping malls and storage facilities, Garage, building stairwells and hallways, Workshop, task or general area lighting.

#### Listing

- ETL and DLC listed.

#### Warranty

- 5 years warranty

Construction & Materials		Environmental System	
Diffuser	PC cover	Work Environment	Suitable for dry and damp location
Housing	Powder coating rust against Sheet Metal Board	Operating Temperature	-20°C to 45°C
Finish	Pure White		

Parameter	
CRI	>80 Ra
Efficacy	>140lm/w
CCT	3CCT Tunable: 3500K-4000K-5000K
Input Voltage	120-277V; 50/60HZ
Wattage	5 Power Selectable:30W-40W-50W-60W-72W
Dimming	0-10V dimming
Certification	cETLus, DLC premium, highbay




# LED LINEAR STRIP LIGHT

## Ordering information

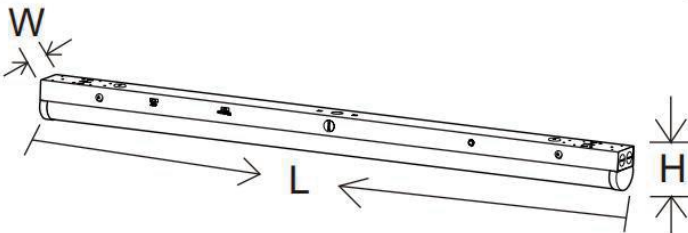
Example: ST4F-45PDNC

Brand	ST	4F	72	M	D	Blank	A
ONE SOURCE LIGHT	Linear strip light	4FT	30W-40W -50W- 60W-72W	3500K- 4000K- 5000K	CCT and Wattage Selectable	Motion Sensor &Emergency Backup M: Motion Sensor B: Emergency Backup N: non- motion& emergency	120-277Vac

## OTHER OPTIONS FOR INSTALLATION (SEPARATE TO BUY)

IMAGE	MODEL NUMBER	DESCRIPTION
	MC-STPC4	Metal plate connector for a straight line
	MC-STHK	Hanging kit for suspending
	MC-JCOVER	J-BOX Cover

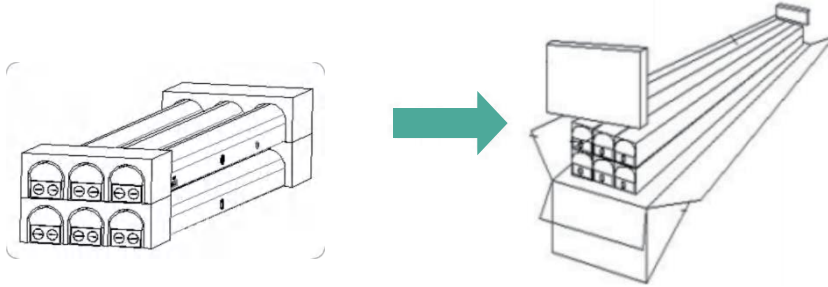
## Dimensions



Length	Width	Height
48"	2.95"	3.27"

# LED LINEAR STRIP LIGHT

## PACKAGING INFORMATION



Size	Packing Detail				
	L(cm/inch)	W(cm/inch)	H(cm/inch)	PC/CTN	GW(KG)
4FT	128.5cm/50.6''	27cm/10.6''	20cm/7.9''	6PC	12.5

## INSTALLATION GUIDE

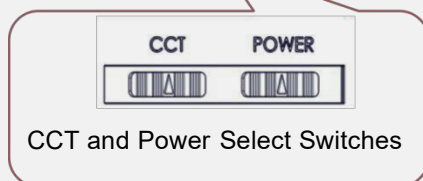
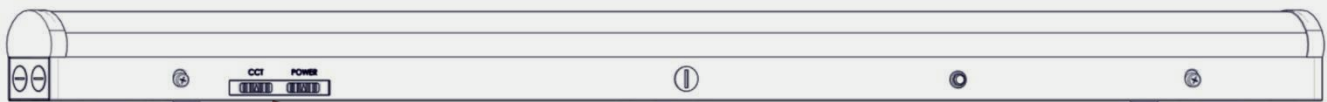
### PRODUCT DESCRIPTION

- 0-10V Dimming;
- Seamless connection up to 24ft;
- CCT and Wattage Selectable;
- Motion Sensor and Emergency are optional;
- Universal voltage: 120-277V;
- Please comply with the voltage of the lights label indicated

**WARNING - RISK OF FIRE OR ELECTRIC SHOCK. PRODUCT MUST BE INSTALLED IN ACCORDANCE WITH THE NATIONAL ELECTRICAL CODE OR YOUR LOCAL ELECTRICAL CODE. IF YOU ARE NOT FAMILIAR WITH THESE CODES AND REQUIREMENTS, CONTACT A QUALIFIED ELECTRICIAN. DANGER - RISK OF SHOCK - DISCONNECT POWER BEFORE INSTALLATION**



Picture is for illustration purposes only. Your model may vary.


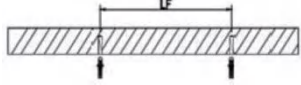


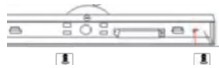

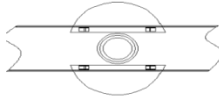

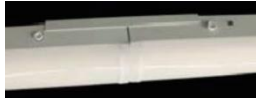

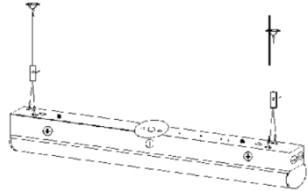


### PREPARATIONS BEFORE INSTALLATION

\*Factory Settings: 5000K, highest wattage based on fixture. Slide the switches on the shell to select the desired CCT and Wattage.

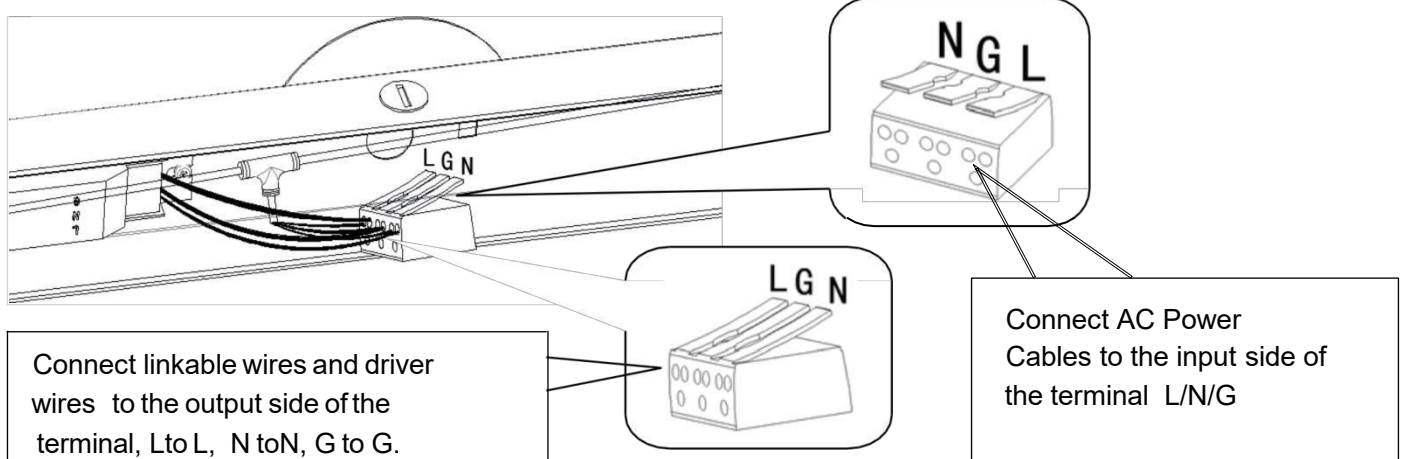
# LED LINEAR STRIP LIGHT

## ACCESSORIES

Expansion Rubber Plus		4PCS	Embedded screws ceiling and fixed	
Wiring Nut		5PCS	Connect input wire and AC power and dimming wire	
Screws		4PCS	Fix the metal body on the ceiling	
(Optional, Not Standard) Backplane			J-Box Cover	
(Optional, Not Standard) Linkable Plate			Put 2 fixtures in this plate to make sure they are in a straight line	
(Optional, Not Standard) Hanging Ropes			Hanging the light	

## WIRING DIAGRAM (LINKABLE VERSION)

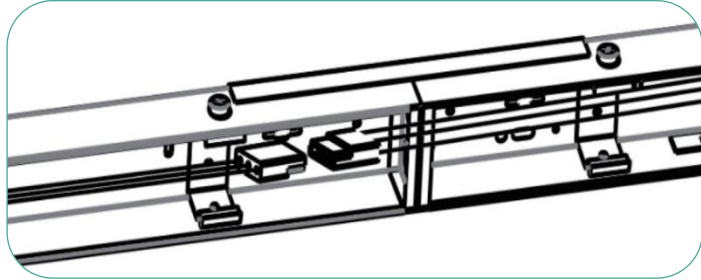
### AC Power Input Wiring for the Initial Light



# LED LINEAR STRIP LIGHT

**CAUTION:** Turn off power before wiring fixture to the power supply.

Connection: Plug the male/female connector from the previous light to the female/male connector of the next light.



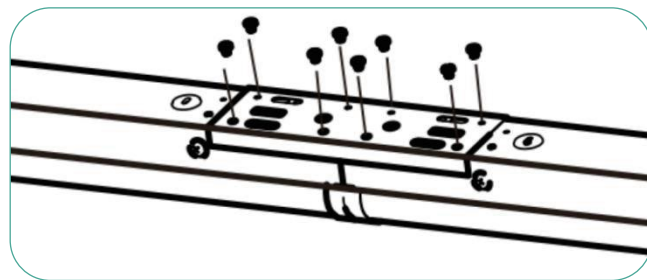
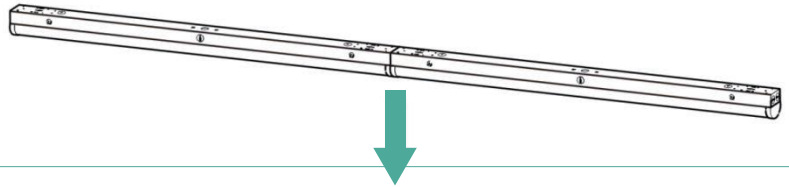
## Caution:

The Linear Strips can be connected  
Max. 450W.

Max. Connection: 6pcs

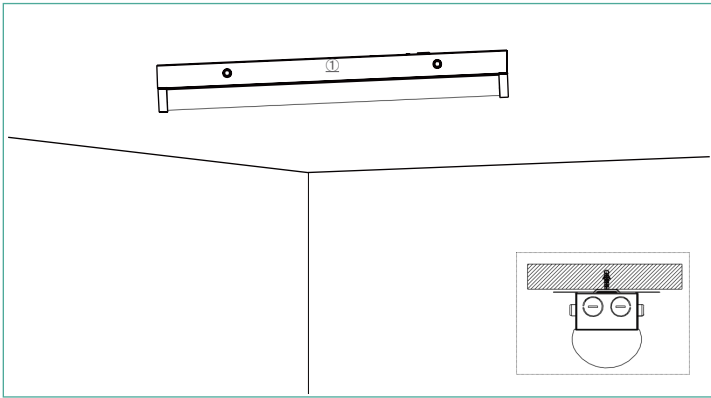
## LINKABLE PLATE (SOLD SEPERATELY)

Use a linkable plate (optional) to connect  
two fixtures on the back.

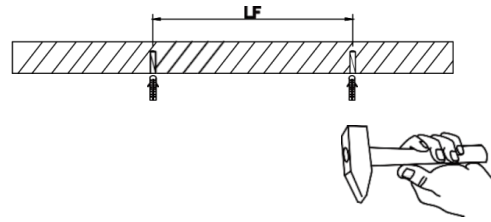


## CEILING INSTALLATION INSTRUCTION

# LED LINEAR STRIP LIGHT

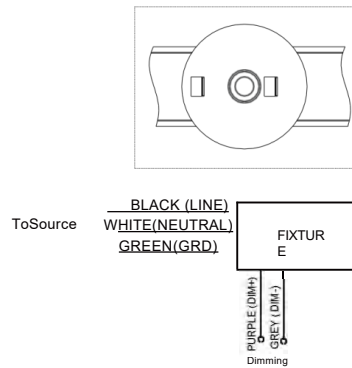
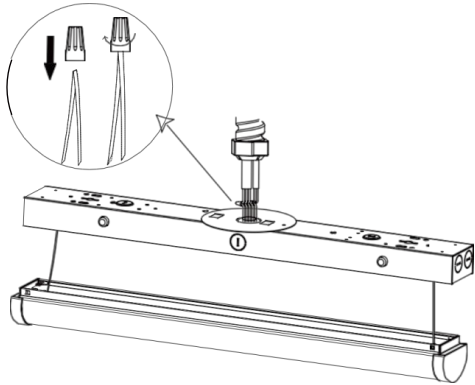


1. Punch a hole on the wall and put the expansion tube inside.

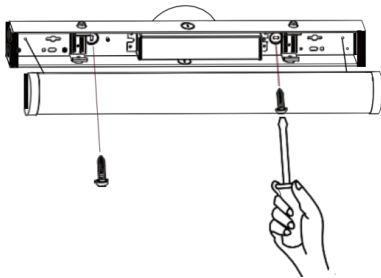


4FT:LF=36.22"  
8FT:LF=83.38"

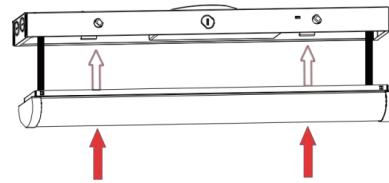
2. Make sure the power is off and wiring by using wire nuts.



3. Secure the fixture on the wall and lock it in tight.

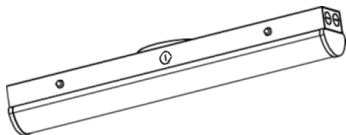


4. Press upward the cover and lock it with springs tightly which located into the fixture.

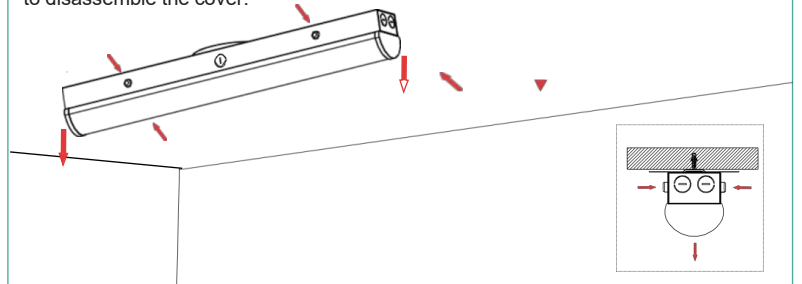


Press the cover right above the buckles

5. The installation completed.

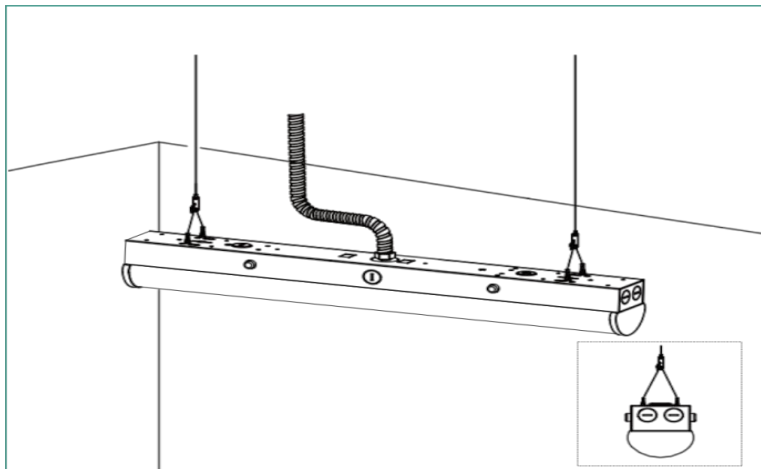


6. Press the buckle on both sides and remove, if you need to disassemble the cover.

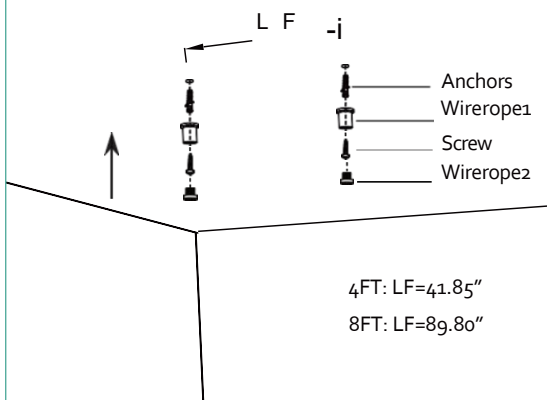


# LED LINEAR STRIP LIGHT

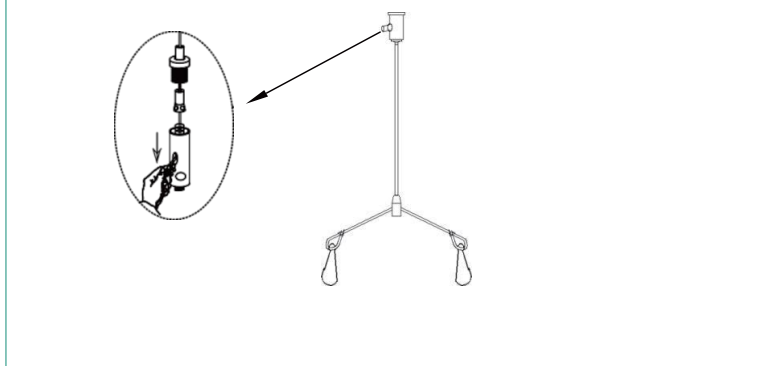
## Suspension Installation Instructions



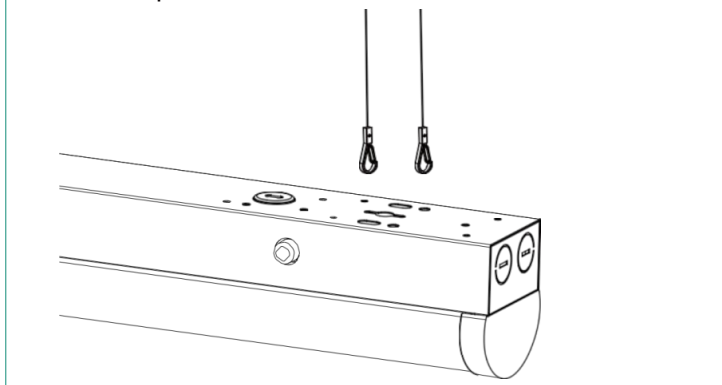
1. Fixing the hook and suspending the lamp.



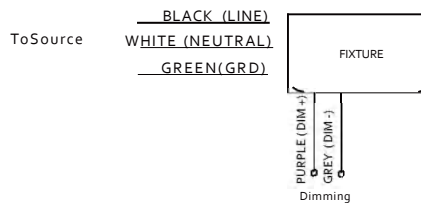
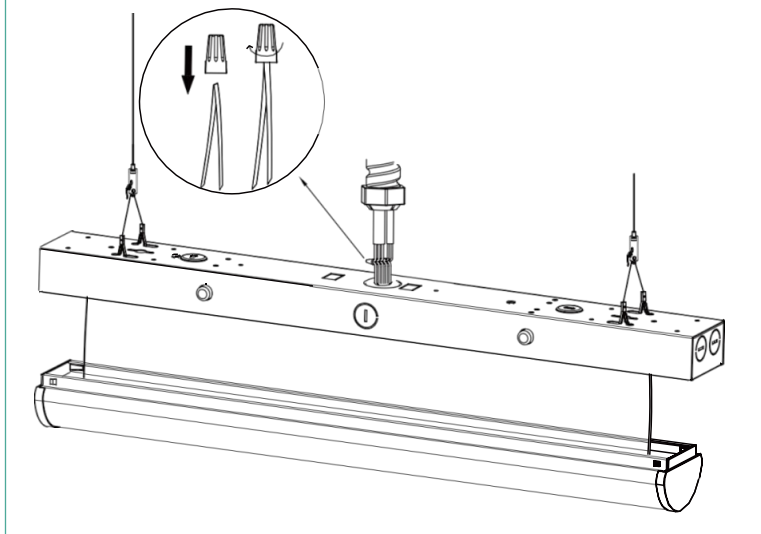
2. Adjusting the hanging rope length.



3. Adjusting the hanging rope making the LED strip in a horizontal state.

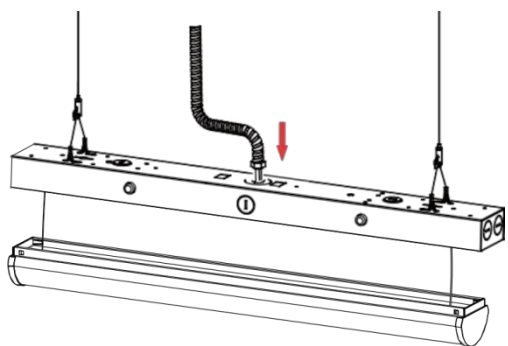


4. Make sure the power is off and wiring by using wire nuts.

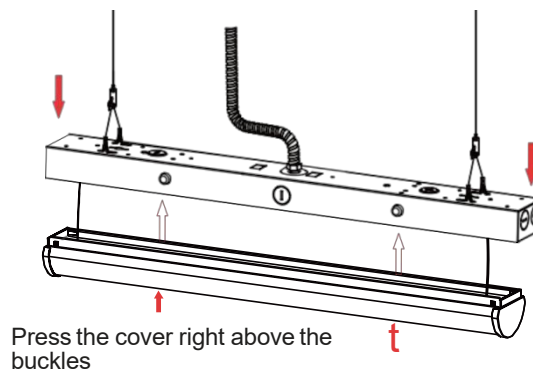


# LED LINEAR STRIP LIGHT

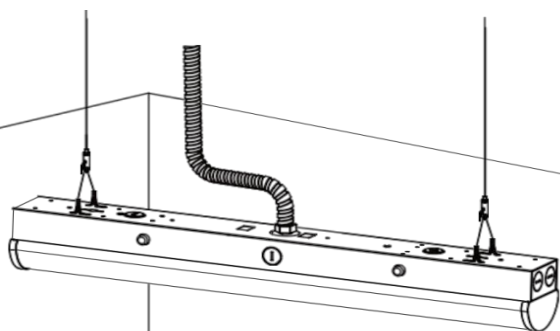
5. Insert the terminal block and wires into the lamphousing.



6. Press upward the cover and lock it.



7. The installation completed.



8. Press the buckle on both sides and remove, if you need to remove the cover.

