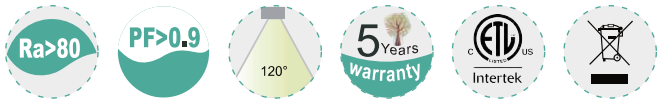


LED CANOPY LIGHT

J-CP03[®]



FEATURES AND SPECIFICATIONS

Construction

- UV stabilized, one-piece polycarbonate lens.
- Housing: Die-cast Aluminum
- Finish Colors: White

Electrical

- Working voltage 120-277V 50/60Hz
- Operating Temperature Range: -40°F~+113°F
- Storage temperature: -40°F~+158°F

Performance

- Uses professional optical technology to obtain 130lumens perwatt and project light down in a wide projection.
- Life Time >50,000Hrs
- Fixture is designed for better cooling with Larger Size, aluminum Heat Sink to ensure long lfe performance.

Installation

- Integrated driver, easy to install and operate.
- Ideal for lighting a car port, gas station, driveway canopy, gym, garage or any other high baylighting locations.

Listing

- ETL&DLC listed.

Warranty

- 5 years warranty.

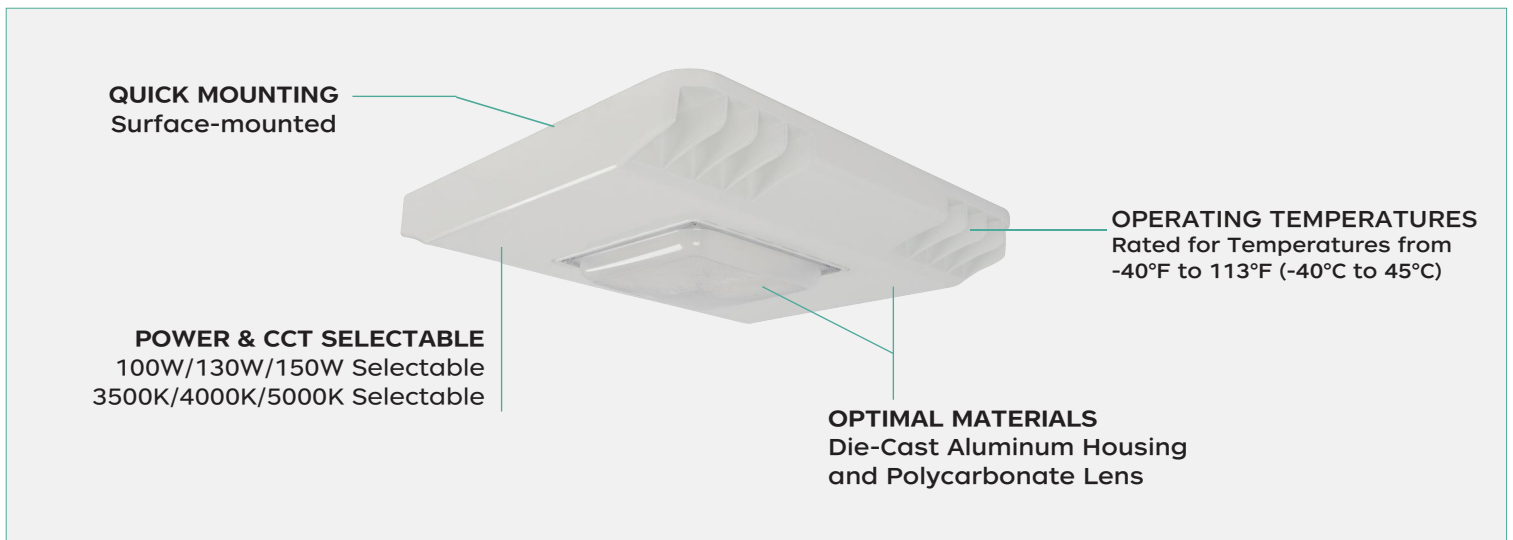
Specs at a Glance	* Nominal Wattage (Switchable)	
Configuration	GCP1515-150W-C-H-TCP	
CCT (K)	3500/4000K/5000K Color Tunable	
Efficacy (LPW)	Up to 130lm/w	
Wattage (W)	150W-130W-100W wattage adjustable	
Lumens (lm)	150W= 15900 lumens 130W= 16900 lumens 100W= 13000 lumens	
Driver Brand	Sosen	
Lifespan	≥ 50000H	
CRI	Ra ≥ 80	
Input Voltage	120-277Vac	
Operating Temp	Working temperature: -40°F~+113°F	Storage temperature: -40°F~+113°F
Certifications	ETL&DLC 5.1 premium	
Warranty	5-year limited warranty	

LED CANOPY LIGHT

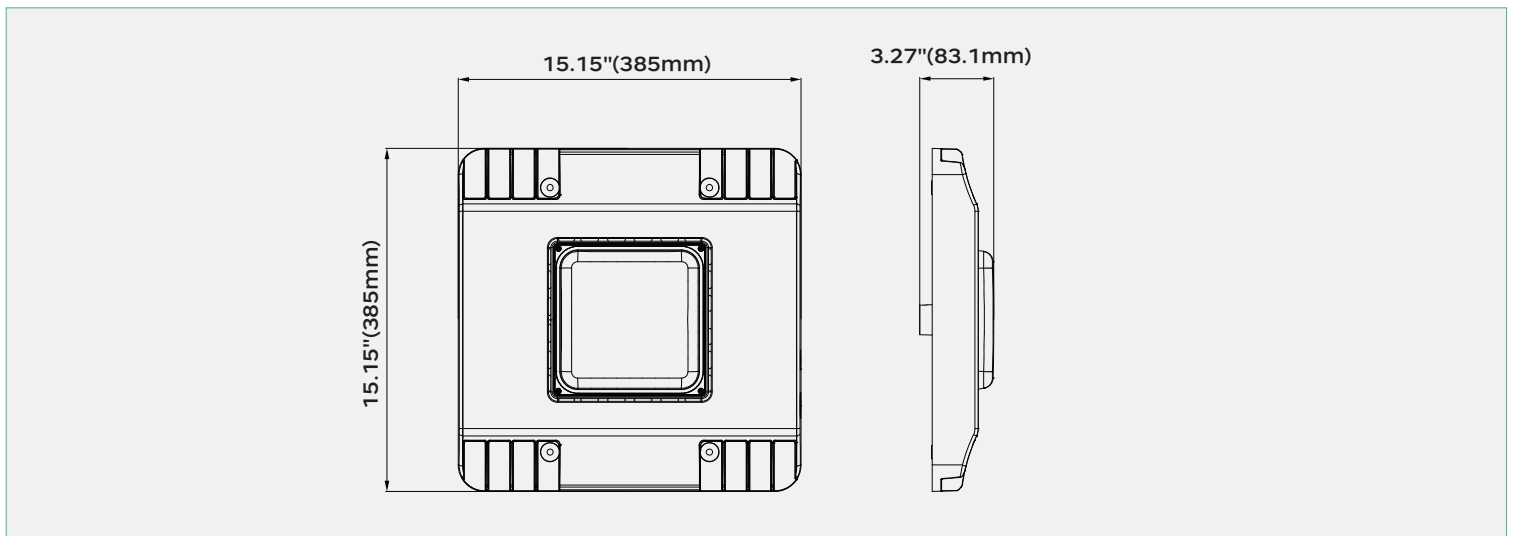
Ordering information

Model	Description
GCP1515-150W-C-H-TCP	Canopy , Power Switchable 150W/130W/100W, Color Switchable 3500/4000K/5000K 120-277Vac

Detail



Dimensions



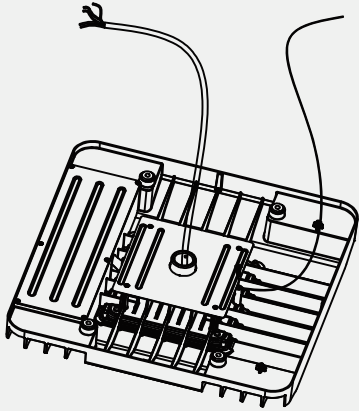
LED CANOPY LIGHT



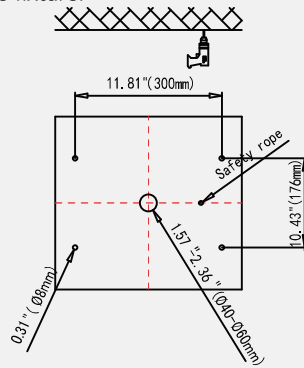
INSTALLATION:

Installation method: Ceiling Installation

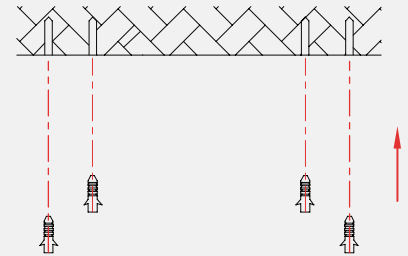
1. Fix the safety rope on the back of fixture by supplied screw PWM4*8



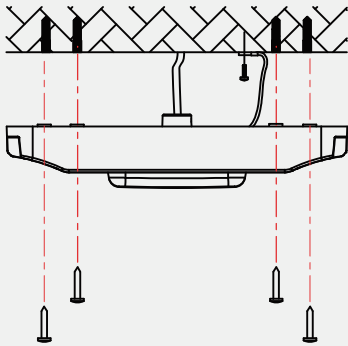
2. Drill 5 holes on the ceiling based on the diameter of supplied plastic anchor as picture, to make them match the holes on the fixture.



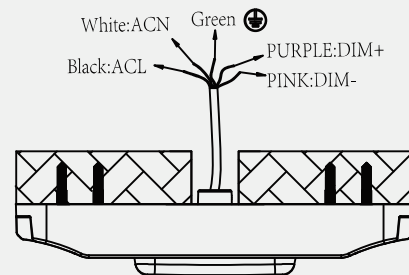
3. Screw the anchors to holes on ceiling respectively.



4. Screw the safety rope. And fix the fixture to the ceiling with tapping screws.



5. Connecting the wires respectively: Black-L, White-N, Green-earth, PURPLE: DIM+, PINK: DIM-

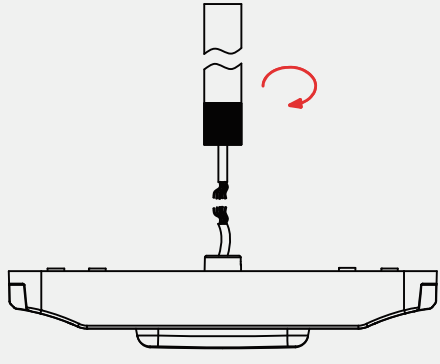


LED CANOPY LIGHT

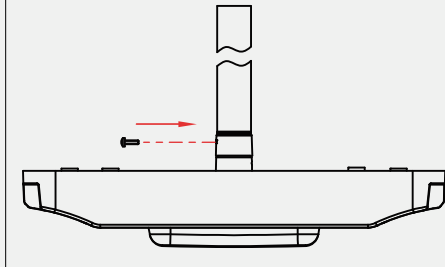
INSTALLATION:

Installation methodII: Pole-pendent Installation

1. Connecting wires from fixture and 3/4"NPT thread with terminal caps as picture



2. Rotating the 3/4" NPT thread to make it fixed with lamp, and fix the NPT with supplied screw



Applications



Packing Information

Model	Outer Carton Size (LxWxH)	QTY/ctn	G.W./pcs	Remark
GCP1515-150W-C-H-TCP	440*445*112mm (17.33"*17.52"*4.41")	1	4.35kg (9.59lbs)	1m Cable