

LED VAPOR TIGHT

J-VT02®



FEATURES AND SPECIFICATIONS

Construction

- Whole PC material body, excellent stress and UV resistance. Waterproof, dust-proof and anti-corrosion 4FT and 8FT Options

Electrical

- Input Voltage: 120-277vac
- IP 65 waterproof grade
- Wattage and CCT tun-able
- High lumen efficient 125lm/w on average
- Motion sensor, emergency function for option

Applications

- Offices, retail, supermarket, schools subway& train station, warehouse healthcare, residential, and hospitality applications

Installation

- Hanging and ceiling installation

Listing

- Comply with the requirements of the Standard(s) for Luminaires (CAN/CSA-C22.2No.250.0) and are identified with the cETL

Warranty

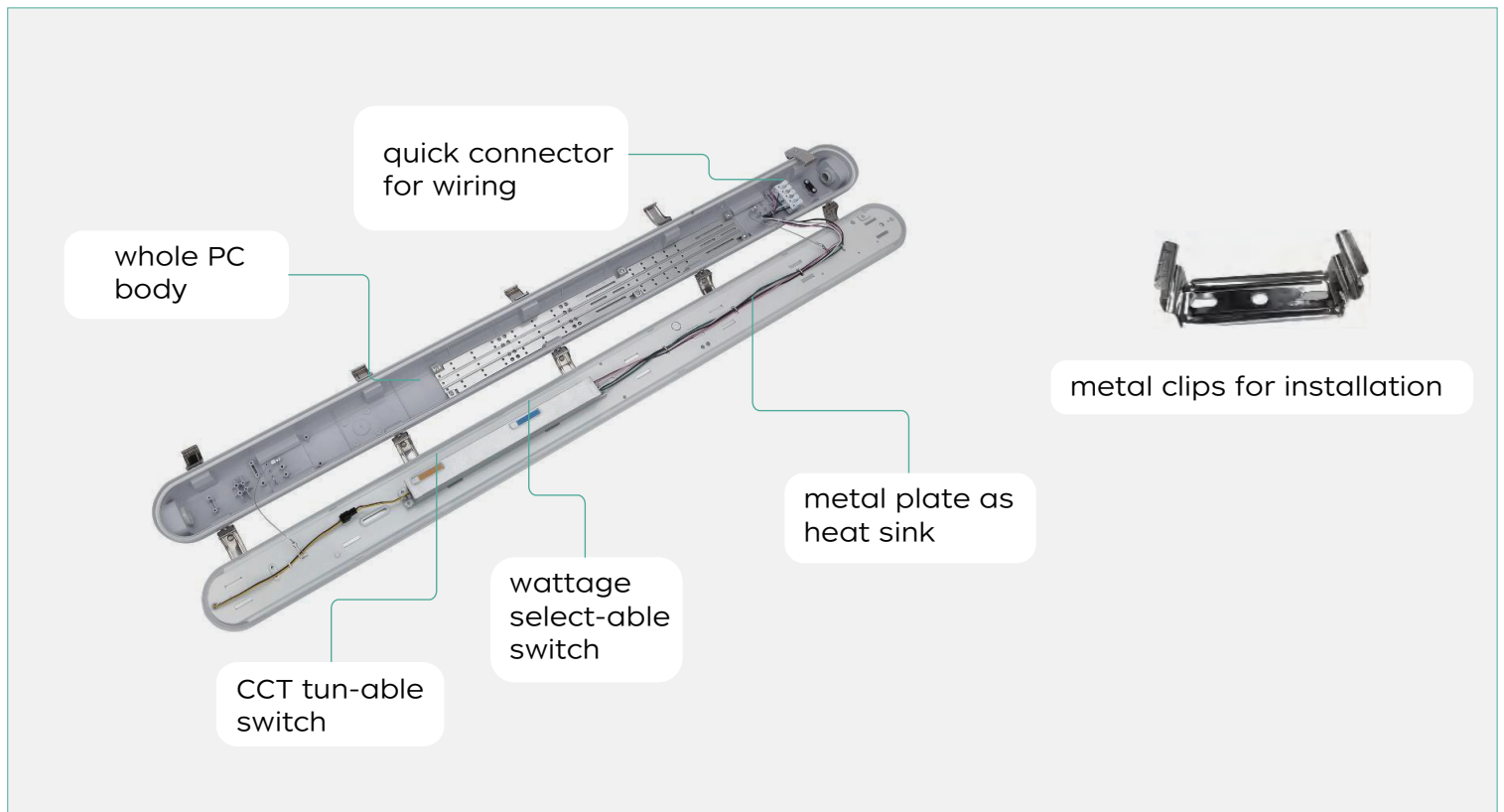
- 5-year limited warranty

Specs at a Glance	* Nominal Wattage (Switchable)	
Configuration	TP4F-L50PDN	TP8F-S80PDN
CCT (K)	5CCT Selectable: 3500K-4000K-5000K-5700K-6500K	
Wattage (W)	25W/30W/35W/40W/50W	40W/50W/60W/70W/80W
Efficacy (LPW)	125lm/w	
Size	4FT	8FT
CRI	>80	
Input Voltage	120-277V AC	
Operating Temp	-20°C-45°C	
Certifications	ETL DLC 5.1 Premium	ETL
Warranty	5-year limited warranty	

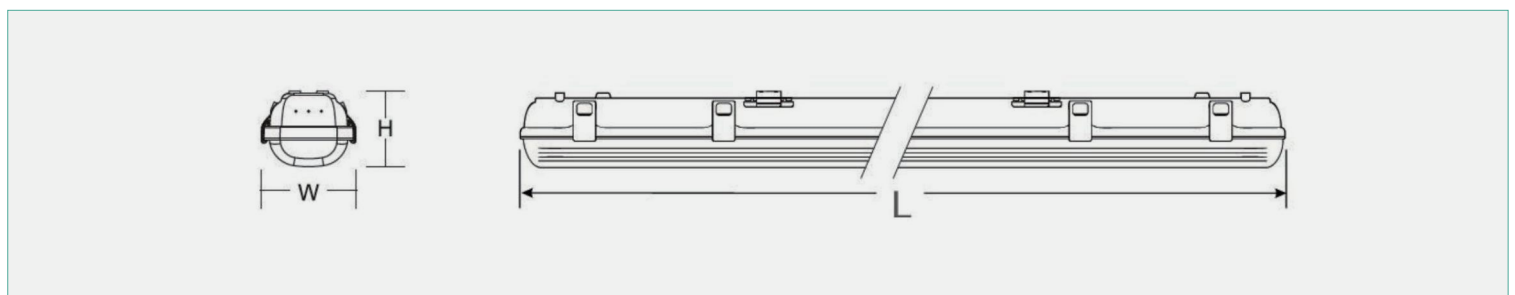
LED VAPOR TIGHT

Ordering information

Brand	Size	Wattage xxxW	CCT"XX"	Blank"xx"	Input Voltage
One Source Light	4F 4FT 8F 8FT	50 25W-30W-35W - 40W-50W 80 40W-50W-60W - 70W-80W	3500-4000-5000 - 5700-6500K S CCT and Wattage Selectable	Blank Motion Sensor& Emergency Backup M Motion Sensor EM Emergency Backup N Non-montion&emergency	120-277Vac



Multiple Sensor Solutions



LED VAPOR TIGHT

Length	Width	Height
1200mm/47"	95mm/3.74"	80mm/3.15"
2400mm/94"	95mm/3.74"	84mm/3.15"

ACCESSORIES



Metal clips

- Stainless steel material
- 2pcs for 4FT light, 4pcs for 8FT light



Connection terminal

- waterproof IP65
- Lead the connection wires inside the lamp



Metal hook

- Stainless steel material
- For hanging light
- 2pcs for 4FT light, 4pcs for 8FT light



Screws bag

- All the screws will be used for installation are packed in this bag

INSTALLATIONS

※Slide the switches on the driver to select the desired CCT and wattage before installation.

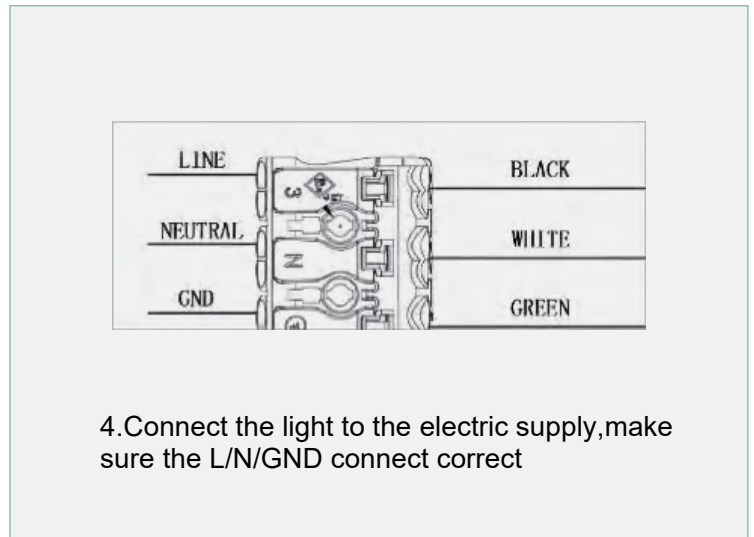
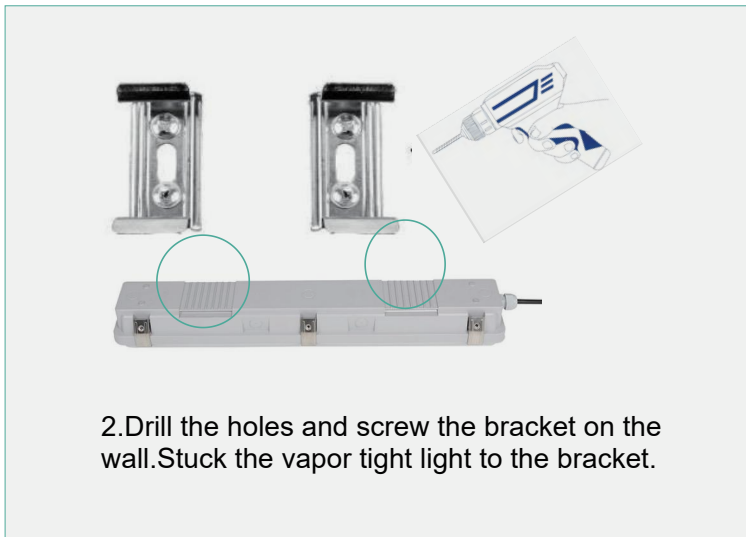
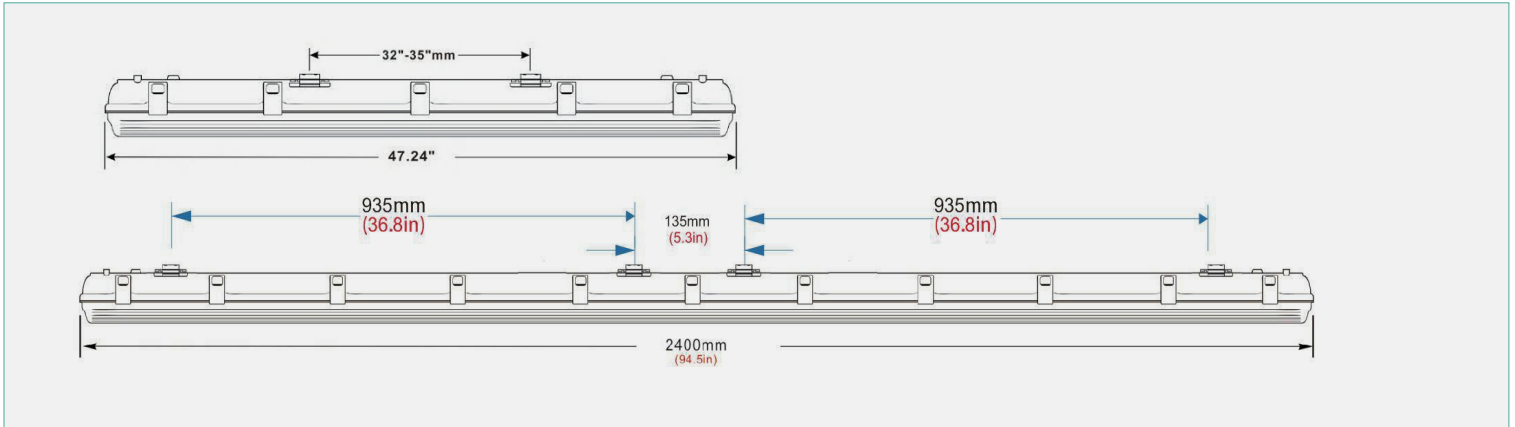
Dimming Wiring Diagrams

This vapor tight light is compatible with 0-10V output dimming controls.



LED VAPOR TIGHT

Surface Mounting



Packing Info



SIZE	Carton size(inch)	N.W(LBS)	G.W(LBS)	QTY/CTN	20'GP(PCS)	40GP(PCS)
4FT	47.83"*12.6"*7.87"	11.2	14	6pcs	2166	4404
8FT	94.88"*12.64"*8.46"	23.4	28.59	6pcs	1014	2058