

LED Linear High Bay

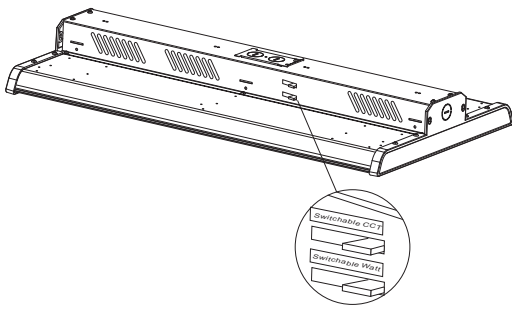
INSTALLATION INSTRUCTIONS

Please read instruction before commencing installation and retain for future references. Electrical products can cause death or injury, or damage to property. If in any doubt about the installation or use of this product, consult a competent electrician.

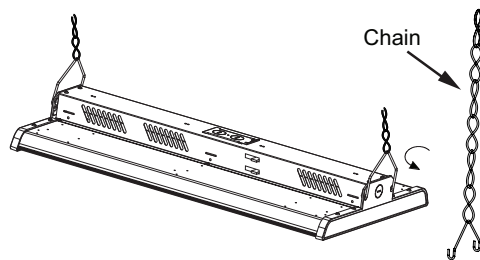
- Note:**
- 1.The installation and maintenance must be completed by electricians or professionals.
 - 2.Please cut off the power before installation and maintenance.
 - 3.The thermally insulating material is not allowed to cover the fixture.
 - 4.Please keep away from the corrosive substance, and keep the fixture dry and clean.
 - 5.Working temperature: $-4^{\circ}\text{F} \sim 104^{\circ}\text{F}$, storage temperature: $-22^{\circ}\text{F} \sim 140^{\circ}\text{F}$.

CHAIN INSTALLATION:

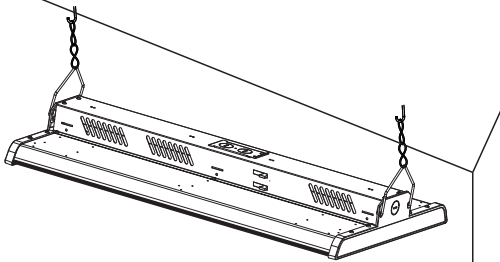
1. Select the desired power and colour temperature on the dip switches.



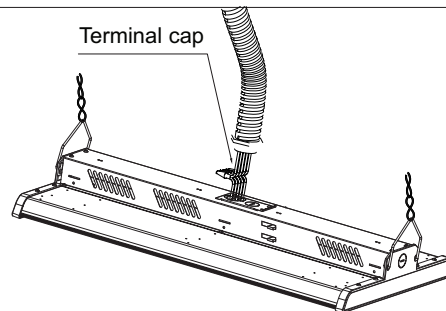
2. Hook the chain as below pic, and insert the hook into the slotted holes, as shown below.



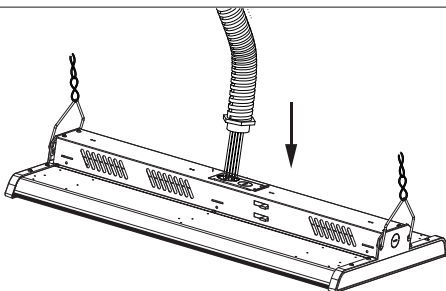
3. Hook up the chain on the ceiling anchor



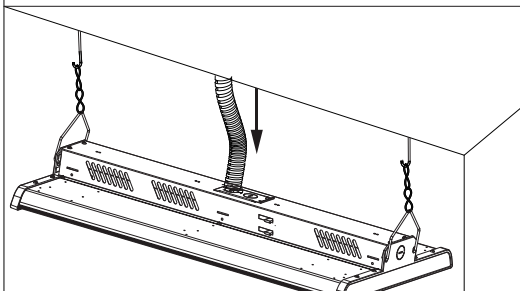
4. Turn off power, and make wiring connections with terminal cap.



5. Insert the terminal cap and wires into the driver box.

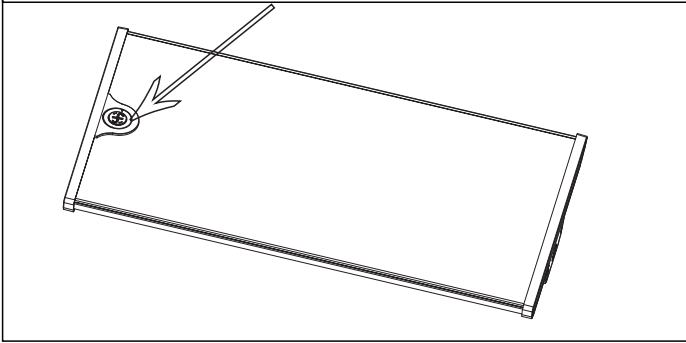


6. Insert the wire terminal joint to the wire entry. Installation completed.

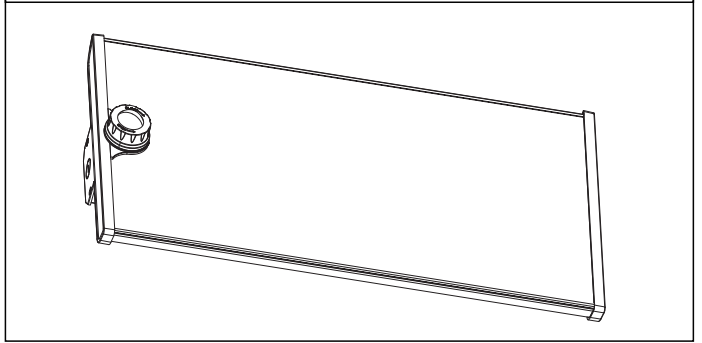


QUICK INSTALLATION OF MOTION SENSOR:

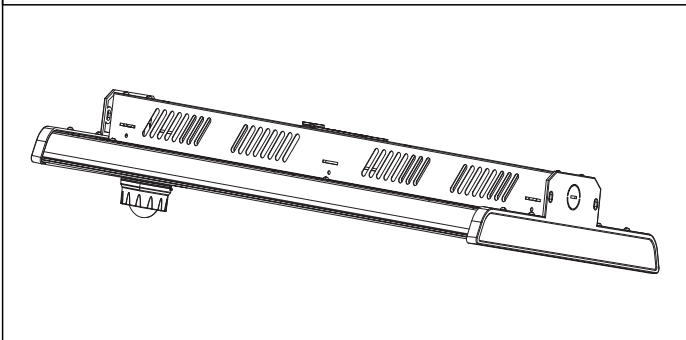
1. Screw out the nut in the junction box cover.



2. Close the junction box cover and lock it with screws.



3. Microwave sensor installation completed.



WIRING DIAGRAM:

