

# LED GARAGE CANOPY

## INSTRUCTION MANUAL

Please read the user manual carefully and follow it. This will help to prevent damage of the product, prolong its lifespan; And it will be helpful for your normal use and maintenance, to ensure that your life safety. Please keep the manual properly.

Part No.	Input Voltage	Frequency	Power	Rated Current
CP02G-40	AC120-277V/AC120-347V	50/60Hz	40W	0.37A
CP02G-55	AC120-277V/AC120-347V	50/60Hz	55W	0.51A
CP02G-60	AC120-277V/AC120-347V	50/60Hz	60W	0.55A
CP02G-70	AC120-277V/AC120-347V	50/60Hz	70W	0.65A
CP02G-75	AC120-277V/AC120-347V	50/60Hz	75W	0.69A

## WARNINGS

THE LED GARAGE CANOPY MUST BE INSTALLED IN ACCORDANCE WITH ALL APPLICABLE ELECTRICAL CODES BY PERSONS FAMILIAR WITH THE INSTALLATION, OPERATION, AND/OR MAINTENANCE OF THE PRODUCTS AND THE HAZARDS INVOLVED. THE LED GARAGE CANOPY MUST BE INSTALLED WITH UL LISTED CONDUIT FITTINGS.

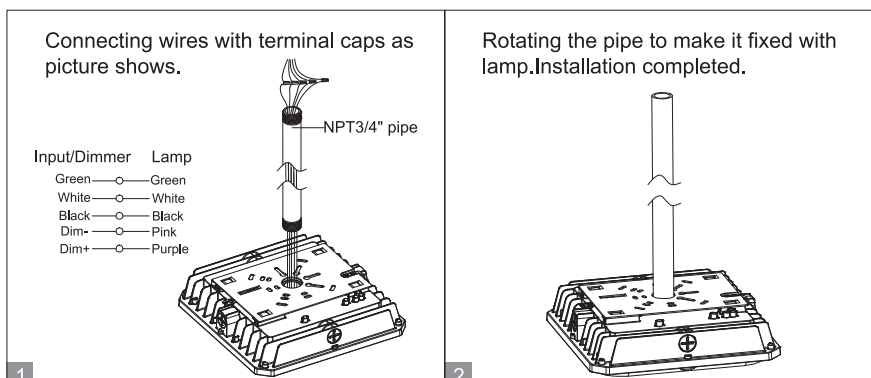
1. Risk of fire or electric shock.
  - 1-1 Make sure the working voltage of LED Garage Canopy is under its rated voltage.
  - 1-2 Make sure the accessories and wires are completed and intact during the installation.
  - 1-3 Installation requires knowledge of electrical systems. For install by qualified electrician only.  
Do not attempt installation if not qualified.
  - 1-4. This fixture should only be installed in place of existing luminaries that have the construction features and dimensions specified in this manual.
2. Do not expose any wire to edge of sheet metal and/or other sharp objects that may cause damage or abrasion.
3. Do not change existing open holes or create any additional open holes in the fixture or its components during installation.

## CAUTIONS

1. Be certain electrical power is OFF before and during installation and maintenance.
2. To prevent wiring damage or abrasion, do not expose wiring to edges of sheet metal or other sharp objects.
3. Do not use the LED Garage Canopy near heating appliances/ elements.
4. The input voltage and lamps should be matched after connecting the power line, please make sure the wiring section is insulated.

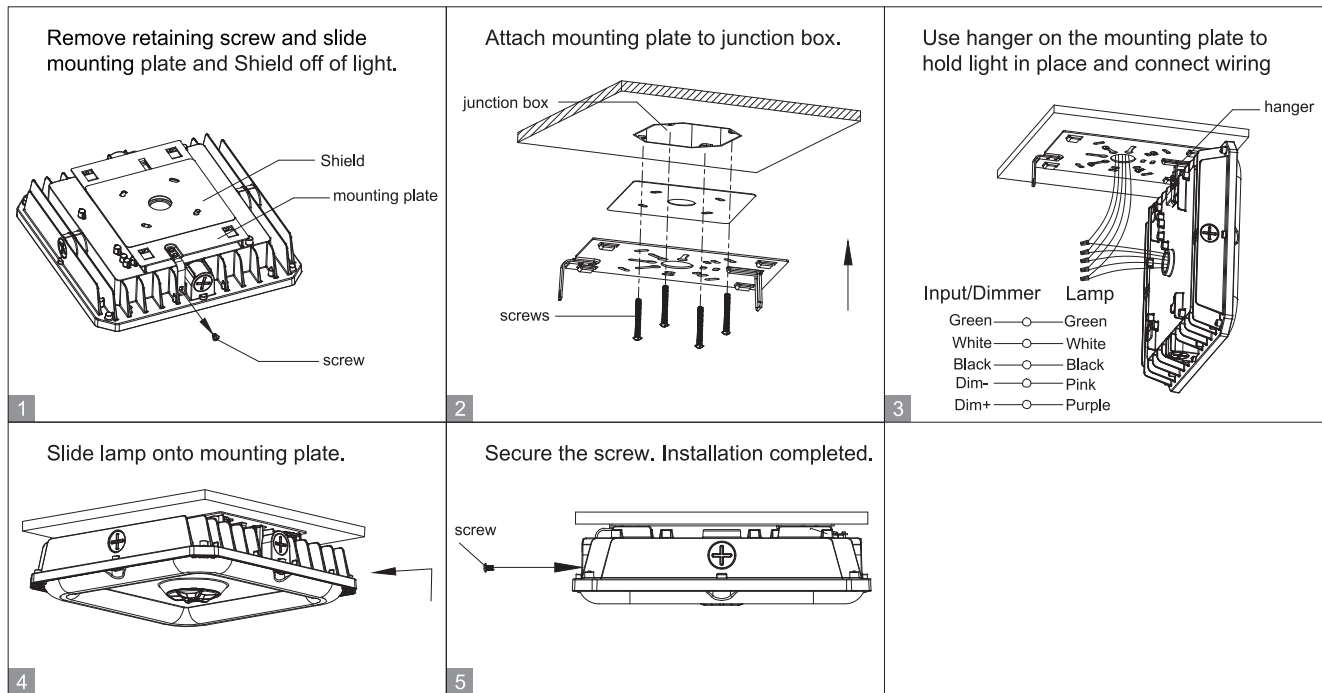
LED Garage Canopy must be operated within an ambient temperature range of -22°F to 122°F (-30°C to + 50°C). LED Garage Canopy is not intended for use with emergency exits.

## Installation method I: Pole-pendant Installation

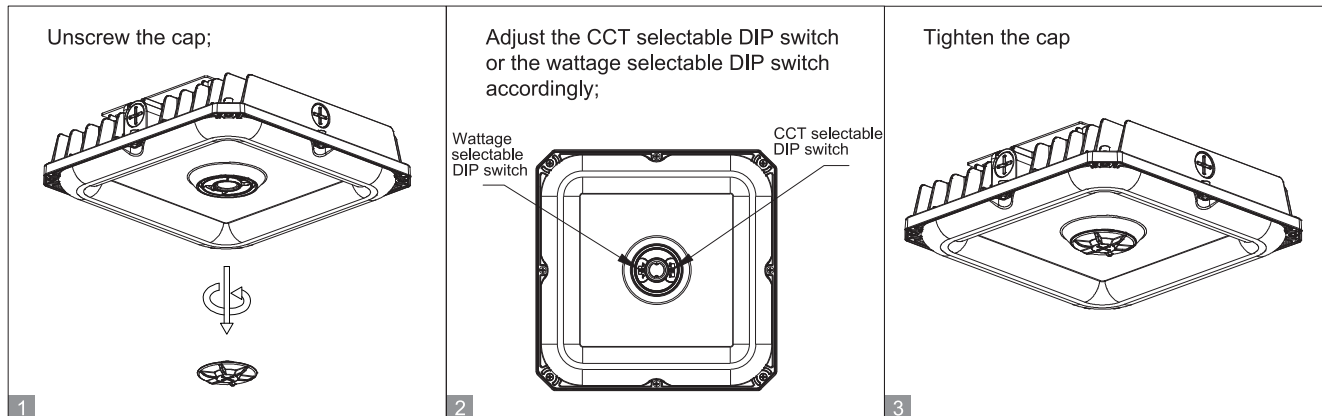


# Installation Instruction

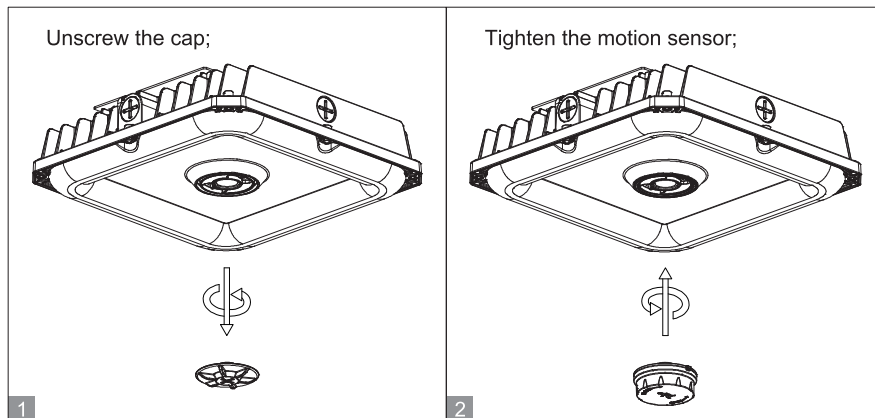
## Installation method II: Ceiling Installation



## Selectable CCT and wattage function installation



## Sensing function installation



The Installation must be carried out by a qualified electrician.